
Intermediate Vocabulary

B J Thomas

Nelson

Thomas Nelson and Sons Ltd
Nelson House Mayfield Road
Walton-on-Thames Surrey
KT12 5PL UK

51 York Place
Edinburgh
EH1 3JD UK

Thomas Nelson (Hong Kong) Ltd
Toppan Building 10/F
22A Westlands Road
Quarry Bay Hong Kong

© B.J. Thomas 1986

First published by Edward Arnold (Publishers) Ltd 1986.
Reprinted four times. ISBN 0-7131-8427-2

This edition published by Thomas Nelson and Sons Ltd 1990
ISBN 0-17-556144-3
NPN 9 8 7 6 5

All rights reserved. No paragraph of this publication may be reproduced, copied or transmitted save with written permission or in accordance with the provisions of the Copyright, Design and Patents Act 1988, or under the terms of any licence permitting limited copying issued by the Copyright Licensing Agency, 90 Tottenham Court Road, London, W1P 9HE.

Any person who does any unauthorised act in relation to this publication may be liable to criminal prosecution and civil claims for damages.

Printed in Hong Kong.

Cartoons by Matthew Doyle

Contents

Introduction

Topics

Air Travel....5, Bank Accounts....6, Books and Reading....7, Cars....8, Cinema and Films....9, Doctors and Hospitals....10, Education....11, Elections and Government....12, Flats and Houses....13, Food and Restaurants....14, Gambling, Smoking and Drinking....15, Industry and Agriculture....16, International Relations....17, Law and Order....18, Music....19, Natural Disasters....20, Public Transport....21, Romance and Marriage....22, Shopping....23, Sport....24, Television and Newspapers....25, Theatre....26, Travel....27, War....28, Welfare State....29, Work....30

Mini Topics

Argument, Sadness, Nervousness....31, Success, Fame, Pride....32, Birth, Childhood and Adolescence, Death....33, Advertising, Art, Photography....34, Military Service, Police, Security Work....35, The Countryside, The Seaside, Mountains....36, Electrical Appliances, The Telephone, Computers....37, Factory Work, Office Work, A Strike....38

Related Word Groups

Sounds, Animal Sounds....39, Human Sounds, Ways of Looking....40, Walking, Body Movements....41, Containers....42, Furniture and Fittings....43, Connectors....44, Tools....45, Vehicles, Bicycle....46, Collective Nouns, Young Animals....47, Law Breakers....48, Occupations....49, Male and Female, People....50, Clothes....51, Parts of the Body....52, Punctuation Marks and Printing, British Measurements....53, Quantities, Shapes....54

Word Building

Prefixes....55, Suffixes....58, Nouns made from verbs....60, Nouns made from adjectives....68, Adjectives made from nouns....72, Adjectives made from verbs....74, Verbs made from nouns....75, Verbs made from adjectives....76

Specialized Vocabulary

Formal Words....77, Slang and Colloquial Words....79, American Words....80, Newspaper Headlines....81, Abbreviations....82

Pairs of Words Often Confused....84

Key....89

INTRODUCTION

Intermediate Vocabulary is for students who already have a reasonable command of the basic structures of English and who now wish to expand their vocabulary. It can be used both in the classroom and at home. It gives invaluable assistance to students preparing for the Cambridge First Certificate in English examination.

To the student

Intermediate Vocabulary presents new words from a wide variety of topic and language areas. Varied and enjoyable exercises, such as gap filling and word building, guide students in using the new words. Learners studying on their own should avoid simply going through the book 'filling in the blanks'. Exercises should be done at intervals as a supplement to other materials, and students should give themselves time to practise and use what they have learnt before going on to learn more. It is not enough simply to complete the exercises and *understand* the new words encountered. Learners must actually *use* the words in conversation, composition or letters before they can feel that these words are truly a part of their active vocabulary. Although it is chiefly aimed at the intermediate student, advanced students will find this book useful to test and practise their vocabulary, as well as to fill in any gaps in their knowledge.

To the teacher

Intermediate Vocabulary is divided into six sections, each comprising a wide variety of exercises in which target words are contextualized. The first two sections contain words and phrases in topic areas, such as sport or education, and include items useful for students writing about or discussing a particular topic. The third and fourth sections, Related Word Groups and Word Building, introduce new words and practise skills such as deducing meaning, word building and word transformation. The fifth section, Specialized Vocabulary, is intended for more advanced students, as an introduction to areas of language outside those they will have encountered so far in their studies. These include formal words, slang, words used in newspaper headlines, abbreviations and American words. The final section, Pairs of Words Often Confused, is intended as a reference section to be turned to as and when problems arise with a particular pair of words. The items of vocabulary in this chapter can give difficulty because (a) they have similar spelling and similar or even identical pronunciation, e.g. *principal/principle*, (b) they have similar but not identical meaning, e.g. *grateful/thankful*, (c) one of the words in the pair has a different meaning in other languages, e.g. *actually/now*.

Intermediate Vocabulary can be used in a variety of ways. Exercises can be done as pair or group activities in class, leading to a discussion, writing activity or other creative task. Alternatively, exercises can be done as homework, with the aid of the key and a dictionary, in preparation for a class discussion or work on a specific area of language. The book can also be used for revision and consolidation work.

TOPICS

Air Travel

At the airport

- 1 Put each of the following words or phrases in its correct place in the passage below.

departure lounge immigration officer check-in desk departure gate
security guard duty free board departures board hand luggage
check excess baggage check in taxi passengers announcement
runway trolley security check conveyor belt on board take off

When travelling by air you have to get to the airport early in order to (a) _____ about an hour before your flight. If you have a lot of luggage, you can put it on a (b) _____ and push it to the (c) _____, where someone will (d) _____ your ticket and weigh your luggage. If you have (e) _____, it can be expensive. Your heavy luggage is put on a (f) _____ and carried away. A light bag is classed as (g) _____ and you can take it with you on to the plane. An (h) _____ looks at your passport and a (i) _____ checks your hand luggage before you go into the (j) _____ to wait till your flight is called. If you want to, you can buy some cheap (k) _____ goods here. Then you see on the (l) _____ or you hear an (m) _____ that you must (n) _____ your plane. You go through the (o) _____, then there is sometimes a (p) _____ before you actually enter the plane. When all the (q) _____ are (r) _____, and when the captain and his crew are ready in the cockpit, the plane begins to (s) _____ to the end of the (t) _____. Finally, permission is received from the control tower and the plane moves faster and faster in order to (u) _____.

In the air

- 2 Instructions as above.

headphones seat belts aisle land turbulence cabin crew
airliner

Flying is fun. I like being in a big (a) _____ with the (b) _____ (stewards and stewardesses) looking after me. They walk up and down the (c) _____ bringing meals and drinks; and if the flight is going through some (d) _____, they warn everybody that it might be a bit bumpy and ask us to fasten our (e) _____. On a long flight I like listening to music through the (f) _____ available to all passengers, and sometimes I have a sleep. I enjoy it all so much that I never want the plane to (g) _____.

- 3 Put one of the following words in each space in the sentences below.

through at to off in on for by

- (a) We decided to go _____ the plane.
(b) When do we take _____?
(c) First you must go _____ customs and immigration.
(d) You'd better ask _____ the information desk.
(e) His friend went _____ the airport with him to see him _____.
(f) You must check _____ at 10.30.
(g) Put your luggage _____ a trolley.
(h) He looked _____ my passport.

Bank Accounts

Opening an account

- 1 Put each word or phrase in the group below in its correct place in the following passage.
- overdraft formalities fill in account open branch bank charges
- It's very simple to (a) _____ a bank (b) _____ in Britain. There are very few (c) _____. Just go to your local (d) _____, (e) _____ a few forms, and that's it. You will probably only have to pay (f) _____ if there is no money in your account or if you borrow money from the bank, in other words if you have an (g) _____.

Current and deposit accounts

- 2 Instructions as above.
- notice current cheque withdraw deposit interest
- For regular everyday use most people prefer a (a) _____ account. This normally earns no (b) _____ but you are given a (c) _____ book, which makes shopping and paying bills very easy. A (d) _____ account earns interest but it's not so easy to (e) _____ your money. You sometimes have to give a week's (f) _____.

Using your account

- 3 Instructions as above.
- balance deposit withdrawal standing order statement
- At regular intervals, perhaps monthly, you will receive a (a) _____ from the bank, giving details of each (b) _____ (money you put in) and (c) _____ (money you take out). If you're not sure how much money you have in your account, you can just go to your bank and ask what your (d) _____ is. If you have to make a regular payment, like rent, you can ask the bank to pay this amount for you automatically. This arrangement is called a (e) _____.

Spending

- 4 Instructions as above.
- cash counterfool income expenditure keep a record crossed overdrawn
- Some people spend more money than they receive. In other words, their (a) _____ is greater than their (b) _____. If you take more money out of the bank than you have in your account, you are (c) _____. To (d) _____ of your spending, it's a good idea when you write a cheque to fill in the (e) _____, which stays in the book. Most cheques are (f) _____ cheques, which means that no one else can (g) _____ them. They must be paid into someone's account.

- 5 Put one of the following words or phrases in each space in the sentences below.

out of from for at in to

- (a) He borrowed £10 _____ his father.
(b) She filled _____ the cheque.
(c) I asked _____ my balance.
(d) I prefer a current account _____ a deposit account.
- (e) You'll get a statement _____ regular intervals.
(f) He took £100 _____ his bank.
(g) He withdrew £100 _____ his bank.

Books and Reading

Kinds of book

- 1 Match each kind of book on the right below with what you would normally find in it on the left.
- | | |
|--|---------------|
| (a) maps | guidebook |
| (b) exercises and diagrams etc. for school study | dictionary |
| (c) meanings of words | manual |
| (d) information about a subject | atlas |
| (e) an exciting story of crime or adventure | thriller |
| (f) instructions, for example on how to maintain, repair and use a car | textbook |
| (g) tourist information and advice about a place or country | Who's Who |
| (h) a list of important, famous people and details of their lives | encyclopaedia |

Reading

- 2 Put each of the following words in its correct place in the passage below.

fine bookworm browse bibliography footnotes reviews
illustrations borrow glossary published

I love books. I love to read. I'm a real (a) _____, and I love to (b) _____ in bookshops, just looking briefly at one book after another. I look at the (c) _____, the photos or drawings. If there are foreign or technical words in the book, I look at the (d) _____ at the back for their meanings (unless they're explained in (e) _____ at the bottom of the pages) and I look at the (f) _____, also at the back, which is a list of other books on the same subject. And I use the library a lot. I (g) _____ two or three books a week, and I have to pay a (h) _____ if I return them late. Friends often recommend books to me, and I also read book (i) _____ in the newspapers. I don't always agree with them, but anyway they let me know what new books are being (j) _____.

- 3 Explain the difference between . . .

- | | |
|-----------------------------|--|
| (a) contents page and index | (e) biography and autobiography |
| (b) bookshop and library | (f) fiction, non-fiction and reference books |
| (c) author and publisher | |
| (d) lend and borrow | |

- 4 Put one of the following words in each space in the sentences below.

by from in up at on

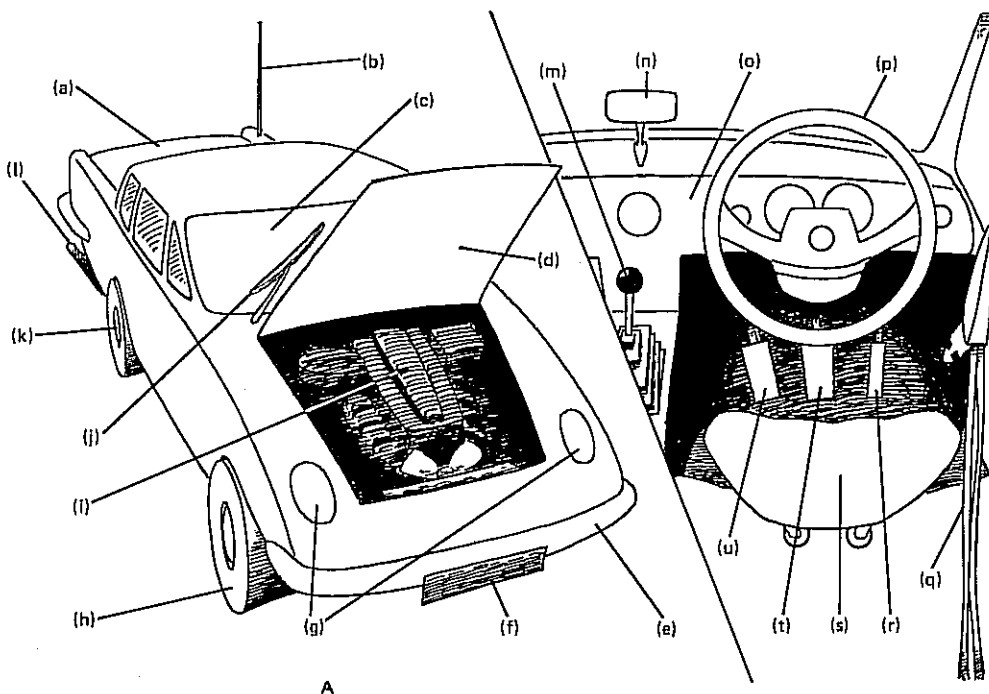
- | | |
|---|---|
| (a) I borrowed this book _____ the library. | (e) You'll have to look _____ the meaning _____ a dictionary. |
| (b) The index is _____ the back of the book. | (f) 'Hamlet' is _____ Shakespeare. |
| (c) There are footnotes _____ the bottom of the page. | (g) The librarian said the book was _____ the top shelf. |
| (d) I read it _____ a book. | |

Cars

Parts of a car

1 Next to each letter in the pictures below, write the name of the car-part it illustrates from the following list.

number plate bonnet seat belt headlights boot steering wheel
 headrest windscreen wheel accelerator (pedal) windscreen wipers
 clutch (pedal) dashboard exhaust pipe tyre brake (pedal)
 bumper aerial gear lever rear-view mirror engine



Cars and driving

2 Put each of the following words or phrases in its correct place in the sentences below.

overtake mpg (miles per gallon) rear reverse petrol tank vehicle
 fuel consumption body performance instruments indicate

- The amount of petrol a car uses is called the _____ and it is measured in _____. The petrol goes in the _____.
- The way a car behaves (speed, brakes, acceleration etc.) is called the car's _____.
- We can talk about the back of a _____ (car, bus, lorry etc.) but more often we use the word _____.
- The speedometer, fuel gauge, and so on are called _____.
- To _____ means to pass another vehicle going in the same direction.
- If you have to go backwards, you _____.
- The outside surface of the car, made of metal or fibreglass, is called the _____.
- Make sure you _____ before turning left or right.

Cinema and Films

A visit to the cinema

1 Put each of the following words in its correct place in the passage below.

cinema foyer aisle trailer cartoon critic usherette poster
row screen horror performance review

Fiona and I went to the (a) _____ the other day to see 'Devil' at the Odeon. The (b) _____ by the *Daily Express* (c) _____ was good, and we decided to go to the 8 o'clock (d) _____. When I arrived, Fiona was waiting for me in the (e) _____, looking at a (f) _____ for 'Devil' on the wall. The (g) _____ took our tickets and showed us to our seats. I don't like to be too close to the (h) _____ and I usually sit in the back (i) _____ if possible, and I prefer a seat on the (j) _____ so I can stretch my legs. Before the main film there was a Mickey Mouse (k) _____, then a (l) _____ for the following week's film. 'Devil' was a (m) _____ film and I was quite terrified, but Fiona thought it was funny.

A film review

2 Instructions as above.

documentary location role director cast box office studio
critical performance plot

Marlon Brando is a superb actor and in 'On the Waterfront' he gave his finest (a) _____. It is his best-known (b) _____. The (c) _____ also included Eva Marie Saint and Karl Malden and the film's (d) _____, Elia Kazan, never made a better film. Parts of the film were shot in the (e) _____ in Hollywood, but a lot was made on (f) _____ in the streets of New York, which makes it at times like a (g) _____. The critics loved the film but it was not only a (h) _____ success. It was a great (i) _____ success as well, and made an enormous profit. The (j) _____ is about a young man's attempt to be a boxing champion.

3 Put one of the following words in each space in the sentences below.

to in on at for

- | | |
|---|--|
| (a) It wasn't made _____ location. | (h) Let's go _____ the cinema. |
| (b) It was made _____ the studio. | (i) This film is based _____ a book. |
| (c) Is there a good film _____ tonight? | (j) I like to sit _____ the back. |
| (d) What's _____ the Odeon? | (k) She prefers to sit _____ the front. |
| (e) He likes to sit _____ the aisle. | (l) We were shown _____ our seats _____ the third row. |
| (f) It happened _____ the beginning of the film. | (m) Sometimes the cast list comes _____ the end of the film. |
| (g) There was a trailer _____ the next week's film. | |

Doctors and Hospitals

Medical staff and patients

- 1 Match each person on the right with a definition on the left.
- | | |
|---|----------------------|
| (a) an ordinary doctor | patient |
| (b) someone who looks after sick people in hospital | surgeon |
| (c) person who helps people with mental problems | out-patient |
| (d) sick person receiving treatment | in-patient |
| (e) sick person who has to stay in hospital | medical student |
| (f) sick person who has to visit hospital regularly for treatment | casualty |
| (g) someone who operates on sick people | psychiatrist |
| (h) person badly injured in an accident, fire, war | nurse |
| (i) person who helps at the birth of a baby | general practitioner |
| (j) person who studies to be a doctor | specialist |
| (k) person who specializes in one area of medical treatment | midwife |

Doctors' surgeries and hospitals

- 2 Put each of the following words in its correct place in the passage below.

thermometer ward prescription operation stethoscope pulse
receptionist appointment chemist symptoms examine
treatment waiting room temperature

When I go to the doctor, I tell the (a) _____ my name and take a seat in the (b) _____. My doctor is very busy so I have to make an (c) _____ before I go to see him. He asks me what's wrong with me, I tell him the (d) _____ of my illness, for example high temperature, difficulty in breathing, or pains, and then he will usually (e) _____ me. He'll listen to my heart with his (f) _____, he'll hold my wrist to feel my (g) _____, he'll take my (h) _____ with his (i) _____. The problem is usually something simple and he might give me a (j) _____ for some medicine, which I take to the (k) _____. Of course, if I needed more serious (l) _____, I'd have to go to hospital. There I'd be put in a bed in a (m) _____ with 10 or 20 other people. If there were something seriously wrong with me, I might need an (n) _____.

- 3 Put one of the following words in each space in the sentences below.

from on with in to for of

- | | |
|--------------------------------------|--|
| (a) He was operated _____ yesterday. | (d) I have a pain _____ my back. |
| (b) She was taken _____ hospital. | (e) What's wrong _____ you? |
| (c) He suffered _____ bad headaches. | (f) He died _____ cancer. |
| | (g) She got worse so they sent _____ a doctor. |

Education

1 Put each of the following words or phrases in its correct space in the passage below.

state terms seminar degree co-educational private primary
tutorial graduate nursery school grant secondary lecture
break up compulsory fees academic

When children are two or three years old, they sometimes go to a (a) _____, where they learn simple games and songs. Their first real school is called a (b) _____ school. In Britain children start this school at the age of five. The (c) _____ year in Britain begins in September and is divided into three (d) _____. Schools (e) _____ for the summer holiday in July. (f) _____ education begins at the age of about eleven, and most schools at this level are (g) _____, which means boys and girls study together in the same classes. In Britain education is (h) _____ from five to 16 years of age, but many children choose to remain at school for another two or three years after 16 to take higher exams. Most children go to (i) _____ schools, which are maintained by the government or local education authorities, but some children go to (j) _____ schools, which can be very expensive. University courses normally last three years and then students (k) _____, which means they receive their (l) _____. At university, teaching is by (m) _____ (an individual lesson between a teacher and one or two students), (n) _____ (a class of students discussing a subject with a teacher), (o) _____ (when a teacher gives a prepared talk to a number of students) and of course private study. Most people who receive a university place are given a (p) _____ by the government to help pay their (q) _____ and living expenses.

2 Explain the difference between . . .

- (a) to sit an exam and to set an exam
- (b) to take an exam and to pass an exam
- (c) compulsory and voluntary
- (d) to educate and to bring up
- (e) a pupil and a student

3 Put one of the following words in each space in the sentences below.

up to of at by from in into

- (a) Which school do you go _____?
- (b) He left school _____ the age _____ 18.
- (c) The summer term ends _____ July.
- (d) She's not at home, she's _____ school.
- (e) She goes _____ Sussex University.
- (f) His lecture was divided _____ four parts.
- (g) School breaks _____ next Friday.
- (h) He is now _____ university.
- (i) She is _____ the same class as her brother.
- (j) Students usually receive a grant _____ the state.
- (k) They're given a grant _____ the state.

Elections and Government

Elections

1 Put each of the following words or phrases in its correct place in the passage below.

election campaign support polling day ballot box vote predict
opinion poll polling station candidate

People sometimes try to (a) _____ the result of an election weeks before it takes place. Several hundred people are asked which party they prefer, and their answers are used to guess the result of the coming election. This is called an (b) _____. Meanwhile each party conducts its (c) _____ with meetings, speeches, television commercials, and party members going from door to door encouraging people to (d) _____ their party. In Britain everyone over 18 is eligible to (e) _____. The place where people go to vote in an election is called a (f) _____ and the day of the election is often known as (g) _____. The voters put their votes in a (h) _____ and later they are counted. The (i) _____ with the most votes is then declared the winner.

Government

2 Instructions as above.

cabinet alliance right-wing prime minister split coalition
majority left-wing opposition one-party states

In most countries, except (a) _____, there are several different political parties. The one with the (b) _____ of seats normally forms the government, and the parties which are against the government are called the (c) _____. Sometimes no single party wins enough seats, and several parties must combine together in a (d) _____ to form a government. The principal ministers in the government form a group called the (e) _____. The leader of this group, and of the government, is the (f) _____. Of course, there are many different kinds of parties and governments. A socialist or communist party is often described as (g) _____. A conservative party on the other hand, is usually said to be (h) _____. Political situations are always changing. Sometimes in a party or between two parties there is a big argument or deep difference of opinion. This is called a (i) _____. When, on the other hand, two parties work together, this is sometimes called an (j) _____.

3 Explain the difference between . . .

- (a) pro- and anti-
- (b) an election and a referendum

4 Put one of the following words in each space in the sentences below.

with for against to in between

- (a) I voted _____ the Liberal candidate.
- (b) Put your voting papers _____ the ballot box.
- (c) He's very right-wing, so he's _____ the socialists.
- (d) She belongs _____ the Communist Party.
- (e) The Liberals formed an alliance _____ the Social Democrats.
- (f) There's a split _____ the two parties.
- (g) There's a split _____ the party.

Flats and Houses

Renting a flat

- 1 Put each of the following words or phrases in its correct position in the passage below.

deposit fee flat advertisements self-contained landlord rent
block references accommodation agency

The first thing I had to do in London was find somewhere to live, if possible a small, one-bedroomed (a) _____. I didn't want to share a kitchen or toilet; I wanted to be independent in my own (b) _____ place. I decided I could pay a (c) _____ of £50 a week. I couldn't find what I wanted in the newspaper (d) _____ so I went to an (e) _____. They offered me a nice place. It was in a modern (f) _____ on the third floor. I had to pay the agency a (g) _____, and the (h) _____ wanted a big (i) _____ and (j) _____ from my employer and bank manager.

Buying a house

- 2 Instructions as above.

condition detached estate agent terraced spacious builder
semi-detached architect surveyor cramped removals

Tony and Sheila's first home was a (a) _____ house, one of a line of houses all connected. But several years later when they had a small child, they found it rather (b) _____ for three people. They wanted something more (c) _____ and so decided to move. They went to an (d) _____ and looked at details of the houses he had to offer. They looked at a (e) _____ house (one of a pair attached to each other), liked it, and asked a (f) _____ to inspect it for them. He said that it was in good (g) _____, and they therefore decided to buy it. Luckily they sold their house quickly and soon a (h) _____ firm was taking all their furniture and other possessions to their new home. But already, after a couple of years, they are hoping to move again. Tony's business is doing well and they want to get an (i) _____ to design a modern, (j) _____ house for them, and a (k) _____ to build it.

- 3 Explain the difference between . . .

- (a) a landlord and a tenant
- (b) a house and a bungalow
- (c) ground floor and first floor

- 4 Put one of the following words in each space in the sentences below.

for at in on of into with

- (a) She wanted a place _____ her own.
- (b) He'll move _____ tomorrow.
- (c) He'll move _____ his new flat tomorrow.
- (d) I share the kitchen _____ three other people.
- (e) The landlord asked the tenant _____ more rent.
- (f) My flat is _____ the top floor.
- (g) My flat is _____ a modern block.
- (h) The house is _____ good condition.
- (i) I looked _____ advertisements _____ the newspaper.
- (j) She pays a rent _____ £90 a week.

Food and Restaurants

Eating out

- 1 Put each of the following words or phrases in its correct place in the passage below.

bill fast food cookery books eat out recipe dish menu
take-away ingredients waiter snack tip

I'm a terrible cook. I've tried hard but it's no use. I've got lots of (a) _____, I choose a (b) _____ I want to cook, I read the (c) _____, I prepare all the necessary (d) _____ and follow the instructions. But the result is terrible, and I just have a sandwich or some other quick (e) _____. So I often (f) _____. I don't like grand restaurants. It's not the expense, it's just that I don't feel at ease in them. First the (g) _____ gives me a (h) _____ which I can't understand because it's complicated and has lots of foreign words. At the end of the meal when I pay the (i) _____ I never know how much to leave as a (j) _____. I prefer (k) _____ places, like hamburger shops where you pay at once and sit down and eat straightaway. And I like (l) _____ places, where you buy a meal in a special container and take it home.

Entertaining at home

- 2 Instructions as above.

cutlery vegetarian diet crockery side dish starter napkin
entertaining sink main course washing up dessert

Maureen often gives dinner parties at home. She loves (a) _____. She lays the table: puts the (b) _____ in the right places, sets out the plates and puts a clean white (c) _____ at each place. For the meal itself, she usually gives her guests some kind of (d) _____ first, for example soup or melon. Next comes the (e) _____, which is usually meat (unless some of her guests are (f) _____ or if they're on a special (g) _____) with a (h) _____ of salad. For (i) _____ it's usually fruit or ice-cream, and then coffee. When everyone has gone home, she must think about doing the (j) _____, as in the kitchen the (k) _____ is full of dirty (l) _____.

- 3 Explain the difference between . . .

- | | |
|--|--------------------------|
| (a) a buffet and a banquet | (c) a chef and a caterer |
| (b) overcooked, undercooked
and raw | (d) a café and a canteen |

- 4 Put one of the following words in each space in the sentences below.

to at down of for out in up

- | | |
|--|---|
| (a) I asked _____ the menu. | (g) I looked _____ the menu. |
| (b) I like to eat _____. | (h) I'm very fond _____ Chinese food |
| (c) He took _____ my order. | (i) Could you help me set _____ the plates? |
| (d) I prefer a simple café _____ a big restaurant. | (j) Put the used cutlery _____ the sink. |
| (e) I like to go _____ self-service places. | (k) I'll wash them _____ later. |
| (f) Let's invite the Smiths _____ dinner. | |

Gambling, Smoking and Drinking

Gambling

1 Put each of the following words or phrases in its correct place in the passage below.

casino fortune wreck punters games of chance broke betting odds bookmakers compulsive gamblers

Some people are (a) _____ which means that they simply cannot stop (b) _____ on horses or playing (c) _____. It can be like a disease. If you're lucky, you can win a (d) _____ but if you're unlucky it can (e) _____ your life. And most people are unlucky. The (f) _____ are always against the gambler. At the race course it is the (g) _____ who win and the (h) _____ who lose. From a game of roulette in the (i) _____, the house makes a profit, the gambler often goes (j) _____.

Smoking

2 Instructions as above.

craving packet chain-smoke stained put out harmful addiction antisocial fatal ash trays

To many people, smoking is not just a pleasure, it is an (a) _____. They need it, depend on it, can't stop it. If they haven't smoked for some hours, they feel a (b) _____ for a cigarette. They often (c) _____, which means they light another cigarette immediately they have (d) _____ the one before. Smoking is often considered (e) _____, since many people don't like the smell of cigarettes or the sight of the smoker's (f) _____ fingers or (g) _____ full of cigarette-ends. Above all, smoking is (h) _____ to health and in many countries a warning is printed on every (i) _____ of cigarettes. Scientists have proved that there is a link between smoking and a disease which can be (j) _____, cancer.

Drinking

3 Instructions as above.

sociable sip soft drinks sober alcoholics spirits tipsy teetotalers drunk hangover

Drinking habits vary. Some people don't drink alcohol at all, just (a) _____ like fruit juice. They are called (b) _____. Others like to (c) _____ a glass of wine slowly, just to be (d) _____. Others like to drink glass after glass of beer, or possibly (e) _____ such as whisky, brandy or vodka. Soon they become (f) _____ and if they continue, they'll get (g) _____ and wake up the next morning with a bad (h) _____. Some people are dependent on alcohol. They can't do without it. They are (i) _____. One thing is certain. If you drive, you shouldn't drink. Stay (j) _____.

4 Put one of the following words in each space in the sentences below.

down up out to on

- Lots of punters have bet _____ that horse.
- He wants to give _____ smoking or at least cut _____.
- No smoking. Please put your cigarettes _____.
- Smoking is harmful _____ your health. It can be fatal.
- He was beginning to depend _____ alcohol.

Industry and Agriculture

Industry

1 Put each of the following words in its correct place in the passage below.

produce shipyards products export natural resources slump
economy boom plants import markets

The health of a big, developed country's (a) _____ depends largely on its industry. Factories have to keep busy. They must (b) _____ and sell their (c) _____ in large quantities. (d) _____ must make and sell ships, car (e) _____ must make and sell cars. A period of industrial success, when everything goes well and large profits are made, is called a (f) _____. On the other hand a period when there is not much industrial activity is called a (g) _____. To maintain a high level of production is not simple. For example Japan, a very successful industrialized country, has very few (h) _____ such as oil or coal, and has to (i) _____ them from other countries in order to keep its industries going, and thus to supply needs at home and also to (j) _____ its goods to its overseas (k) _____.

Agriculture

2 Instructions as above.

livestock crops agricultural dams fertilizers harvest irrigate
self-sufficient fertile farmers

A country which wishes to be (a) _____ in food will encourage its (b) _____ to produce as much as possible so that it will not be dependent on food imports. If there is not much rain, (c) _____ must be built on rivers to provide water to (d) _____ the land. If the land is not naturally rich, chemical (e) _____ must be used to make it (f) _____. Then (g) _____ (of wheat, rice etc.) will grow, the (h) _____ will be good, and in addition the (i) _____ (cattle, sheep etc.) will have grass to eat. If this does not happen, the (j) _____ sector of the country's economy will suffer and the country will have to import food from abroad.

3 Explain the difference between . . .

- (a) an oilfield and an oil refinery
- (b) a mine and a quarry
- (c) the producer and the consumer
- (d) to plough and to sow

4 Put one of the following words in each space in the sentences below.

in to on from of

- (a) Profits depend largely _____ production and sales.
- (b) There is a boom _____ shipbuilding.
- (c) The main export _____ Iran is oil.
- (d) This land suffers _____ lack of water.
- (e) Thailand is self-sufficient _____ rice.
- (f) Sweden exports wood _____ the UK.

International Relations

A summit meeting

1 Put each of the following words or phrases in its correct place in the passage below.

superpowers leader spokesman breakdown news conference
item settle summit meeting hold preliminary agenda

The American President and the Soviet (a) _____ have announced their intention to (b) _____ a (c) _____ in Vienna next month. The two countries have already had (d) _____ talks and decided on an (e) _____ for the meeting. The main (f) _____ will be a discussion about the nuclear arms situation. At a (g) _____ held in Washington yesterday a government (h) _____ told journalists that the unfortunate (i) _____ of last year's talks between the two countries had been caused by disagreements over arms. He said the Vienna meeting would be a chance for the two (j) _____ to (k) _____ their differences.

Diplomatic relations

2 Instructions as above.

in protest at split ambassadors embassies resume break off
diplomatic relations links

Neighbouring countries A and B had always had very good, close relations, but in 1984, owing to a disagreement over the exact location of the border between them, a (a) _____ began to develop. Finally, in 1986, (b) _____ military activity by country B near the border, country A announced its intention to (c) _____ (d) _____ with country B. Both countries withdrew their (e) _____ and the (f) _____ in the two countries were closed down. It is hoped that a solution will be found and that it will be possible to (g) _____ normal trade, cultural and diplomatic (h) _____ as soon as possible.

3 Put one of the following words in each space in the sentences below.

in for over of on at about by

- (a) The French leader hasn't yet decided _____ a date _____ the meeting.
- (b) At a summit meeting each country is represented _____ its head of government.
- (c) The announcement was made _____ a news conference _____ Moscow.
- (d) The ambassadors had a discussion _____ the peace treaty.
- (e) The breakdown _____ the talks surprised everyone.
- (f) The American ambassador walked out of the meeting _____ protest _____ the Russian speech.
- (g) A spokeswoman said there was some disagreement _____ the agenda _____ the meeting.

Law and Order

An arrest

- 1 Put each of the following words in its correct place in the passage below.

theft pleaded fingerprints found cell evidence arrest oath
investigate sentence charge detained fine court magistrate
handcuff witnesses

A policeman was sent to (a) _____ the disappearance of some property from a hotel. When he arrived, he found that the hotel staff had caught a boy in one of the rooms with a camera and some cash. When the policeman tried to (b) _____ the boy, he became violent and the policeman had to (c) _____ him. At the police station the boy could not give a satisfactory explanation for his actions and the police decided to (d) _____ him with the (e) _____ of the camera and cash. They took his (f) _____, locked him in a (g) _____, and (h) _____ him overnight. The next morning he appeared in (i) _____ before the (j) _____. He took an (k) _____ and (l) _____ not guilty. Two (m) _____, the owner of the property and a member of the hotel staff, gave (n) _____. After both sides of the case had been heard the boy was (o) _____ guilty. He had to pay a (p) _____ of £50 and he was given a (q) _____ of three months in prison suspended for two years.

Law and punishment

- 2 Instructions as above.

detective plain clothes jury warders coroner verdict solicitor
trial inquest death penalty

- (a) If you want legal advice in Britain, you go to a _____.
(b) At the end of the _____, the judge ordered the twelve men and women of the _____ to retire and consider their _____, guilty or not guilty.
(c) Men or women who look after prisoners in prison are called prison officers or _____.
(d) If a person dies in unusual circumstances, an _____ is held at a special court, and the 'judge' is called a _____.
(e) A policeman who investigates serious crime is called a _____. He wears _____, not uniform.
(f) In some countries murderers are executed but other countries have abolished the _____.

- 3 Put one of the following words in each space in the sentences below.

before in to of with

- (a) He's being kept _____ custody.
(b) He was sentenced _____ five years.
(c) She got a sentence _____ six months.
(d) He was accused _____ murder.
(e) She's been charged _____ theft.
(f) He appeared _____ court _____ handcuffs.
(g) They were brought _____ the judge.
(h) The jury reached a verdict _____ guilty.

Music

Classical music

- 1 Put each of the following words and phrases in its correct place in the passage below.

musicians bow bows string conductor instruments score
keys baton audience concert hall

While the (a) _____ was filling up and the (b) _____ were taking their seats, the (c) _____ were tuning their (d) _____. The famous (e) _____ entered. He gave the audience a low (f) _____, picked up his (g) _____, looked briefly at the (h) _____ which lay open in front of him, and raised his hands. The pianist placed her fingers ready over the (i) _____ of her piano. The (j) _____ section of the orchestra (violinists, cellists etc.) brought their (k) _____ up, ready to play. The concert was about to begin.

Popular music

- 2 Instructions as above.

group vocalist live stage number one fans concert lyrics
top ten recording studio

After the Beatles, the Rolling Stones have probably been the most successful (a) _____ in Britain. Most of their records have gone into the (b) _____ and they've had many at (c) _____. But their records have usually been made in a (d) _____ and I always wanted to hear them (e) _____ at a (f) _____. I wanted to see them perform on (g) _____ in front of thousands of excited (h) _____. And I did, at Earls Court in 1983. It was great. And Mick Jagger, the (i) _____, sang all the old favourites. I couldn't hear the (j) _____ very well because of the noise, but somehow it didn't matter.

- 3 Explain the difference between . . .

- (a) an orchestra and a band
- (b) percussion instruments and wind instruments
- (c) a concert and a rehearsal
- (d) a composer and a musician

- 4 Put one of the following words in each space in the sentences below.

by in at on

- (a) What record is _____ number one?
- (b) Their new record is _____ the top ten.
- (c) This music was written _____ Chopin.
- (d) I haven't seen this group _____ stage.
- (e) Who's the guitarist _____ that group?

Natural Disasters

Famine and flood 1 Put each of the following words or phrases in its correct place in the passage below.

drought famine starve starvation cut off helicopters drop
flood drown

If a country has no rain for a long time, this dry period is called a (a) _____. In countries dependent on their agriculture, this can lead to a period of (b) _____, when there is not enough food and people actually (c) _____ (die of hunger). They die of (d) _____. When it rains very heavily and the land is under water, this is called a (e) _____. In this situation people and animals can (f) _____. Sometimes (g) _____ have to (h) _____ food supplies to people in areas which are (i) _____.

Earthquake and epidemic

2 Instructions as above.

medical teams toll earthquake trapped epidemic rescue teams
rubble casualties collapse outbreak

In some parts of the world, the ground shakes from time to time. This is called an (a) _____ and if it's a bad one, the number of (b) _____ (dead and injured people) is sometimes large. Buildings often (c) _____ and (d) _____ have to search for people who are (e) _____ under the (f) _____. Sometimes water supplies are affected and there is an (g) _____ of disease, called an (h) _____. (i) _____ are sent by the government to help the sick. The death (j) _____ can reach hundreds or even thousands.

Fire

3 Instructions as above.

on fire fire engine under control fireman put out fire brigade
overcome arson

During the night it was reported that a house was (a) _____. Someone phoned the (b) _____ and a (c) _____ was sent to the house. One (d) _____ was (e) _____ by smoke and taken to hospital, but in half an hour the fire was (f) _____ and after another half hour it was finally (g) _____. At first the police thought it was an accident, but later they found matches and a petrol can and began to suspect (h) _____.

4 Put one of the following words in each space in the sentences below.

for in of to from off under by

- Many people died _____ starvation.
- There are earthquakes in Japan _____ time _____ time.
- Food supplies are dropped _____ people whose homes are cut _____.
- Rescue teams searched _____ injured people.
- There was a drought _____ ten months _____ Central Africa.
- Many people were trapped _____ the rubble of the building which had collapsed.
- Medical teams were sent _____ the government.

Public Transport

1 Put each of the following words in its correct place in the passage below.

fare sliding doors platform conductor crew cab double-decker
bus stop driver rush hour tube destination inspector subway
lift hail single-decker taxi-rank metro coach meter
escalator conductress check tip rack

A taxi, sometimes called a (a) _____, is the most comfortable way to travel. You simply (b) _____ the taxi in the street or go to a (c) _____, where there are several taxis waiting, for example at a station. At the end of your journey, you can see how much the (d) _____ is by looking at the (e) _____. You add a (f) _____ to this, and that's it. Very simple. But expensive!

What about taking a bus? If it has two floors, it's called a (g) _____ and you can get a good view from the top. If it has only one floor, it's called a (h) _____. Most buses have a two-person (i) _____: the (j) _____, who drives, of course, and the (k) _____, (or (l) _____ if it's a woman) who takes your money. Keep your ticket because an (m) _____ might want to (n) _____ it. You catch a bus by waiting at a (o) _____. You can see where a bus is going because the (p) _____ is written on the front. But try to avoid the (q) _____.

Quicker than the bus is the underground (called the (r) _____ in London, the (s) _____ in New York and the (t) _____ in Paris and many other cities). You buy your ticket at the ticket-office. Go down to the (u) _____ on the (v) _____ or in the (w) _____. The train comes. The (x) _____ open. You get on. You look at the map of the underground system. Very simple.

For longer distances take a train or a long distance bus, usually called a (y) _____, which is slower but cheaper. The train is very fast. Put your luggage on the (z) _____ and sit and wait till you arrive.

2 Explain the difference between . . .

- (a) a carriage and a compartment
- (b) a season ticket and a return ticket
- (c) a bus driver and a bus conductor
- (d) a train driver and a guard

3 Put one of the following words in each space in the sentences below.

for off at in on from

- (a) We went down _____ the lift.
- (b) We met _____ the station.
- (c) I waited 20 minutes _____ a bus.
- (d) In Britain people queue _____ buses.
- (e) We must wait _____ the bus stop.
- (f) She waited _____ the platform.
- (g) The tube stops _____ every station.
- (h) The conductor asked _____ our fares.
- (i) We finally got _____ the bus _____ our destination.
- (j) I'll meet you _____ the ticket office.
- (k) Get your ticket _____ the machine.

Romance and Marriage

Romance

- 1 Put each of the following words or phrases in its correct place in the passage below.

date approve mature attracted romantic keen break off
go out relationship drift apart

Ann was a very (a) _____ girl who often dreamed of love and marriage. She was especially (b) _____ to a young man called Michael, who worked in the same office as she did, and he was very (c) _____ on her too. They became friendly and one day Michael asked her to go out with him. Their first (d) _____ was a visit to the cinema, and they both enjoyed the evening so much that they decided to (e) _____ together regularly. Michael was a bit untidy and rather young, and Ann's parents didn't (f) _____ of him at first, but Ann was a sensible, (g) _____ girl and they had confidence in her. For a year or so everything went well, but then somehow they slowly began to (h) _____, until finally they decided to (i) _____ their (j) _____.

Marriage

- 2 Put each of the following words in its correct place in the passage below.

bride engaged bridegroom consent wedding civil reception
honeymoon propose toast

One evening, although he was nervous, Joe decided to (a) _____ to his girlfriend, Linda. She accepted his proposal, they became (b) _____ and he gave her a ring. After a year they had saved enough money to get married (they were both over 18 so they did not need their parents' (c) _____). Some people have a religious ceremony with a priest, but Joe and Linda decided on a (d) _____ ceremony in a registry office. On the day of the (e) _____ Linda, the (f) _____, was very calm, but Joe, the (g) _____, was nervous. Afterwards, at the (h) _____, speeches were made and the guests drank a (i) _____ to the happy couple, who finally left for a (j) _____ in Spain.

- 3 Explain the difference between . . .

- (a) to be fond of and to be in love with
- (b) separated and divorced
- (c) a fiancé and a fiancée
- (d) mother and mother-in-law

- 4 Put one of the following words in each space in the sentences below.

in with out to of

- (a) Bob and Lena are going _____ together.
- (b) Bob is going _____ _____ Lena.
- (c) He was too nervous to ask her _____.
- (d) She's very fond _____ him.
- (e) We drank a toast _____ their future happiness.
- (f) He fell _____ love _____ her at once.
- (g) He's getting married _____ Liz next month.
- (h) She's engaged _____ a policeman.
- (i) His parents don't approve _____ her.
- (j) Have confidence _____ me!

Shopping

Kinds of shop

1 Match the items on the left with the shops where you buy them on the right.

- | | |
|---------------------------|---------------|
| (a) very old furniture | florist's |
| (b) flowers | butcher's |
| (c) writing paper, pens | grocer's |
| (d) newspapers, magazines | greengrocer's |
| (e) cigarettes, matches | antique shop |
| (f) tea, biscuits, butter | baker's |
| (g) fruit, vegetables | tobacconist's |
| (h) dogs and cats | newsagent's |
| (i) bread and cakes | stationer's |
| (j) meat | pet shop |

Going shopping

2 Put each of the following words or phrases in its correct place in the passage below.

tag label cash desk off-the-peg refund sales try on fit till
assistant mail order bargain receipt cashier exchange

If you want to buy a ready-made (or we sometimes say (a) _____) jacket, first find the jackets in the shop and look at the (b) _____ inside to see the size, material and make. For the price, look at the price- (c) _____. To see if it will (d) _____ you, you can (e) _____ the jacket in front of a mirror. If necessary an (f) _____ will help you. You pay the (g) _____, who you will find at the (h) _____. He or she will take your money, put it in the (i) _____ and give you your change. Make sure you also get a (j) _____, which you should keep and bring back to the shop with the jacket if something is wrong with it and you want to (k) _____ it or ask for a (l) _____ of your money. In clothes shops you pay the fixed price, of course. You don't (m) _____. Or you can wait until the (n) _____, when many goods are reduced in price. If you don't like shops, you can stay at home, look at catalogues and newspaper advertisements and do your shopping by (o) _____.

3 Explain the difference between . . .

- | | |
|--------------------------------------|----------------------------------|
| (a) to overcharge and to undercharge | (c) shopping and window-shopping |
| (b) a shopkeeper and a shoplifter | (d) a wholesaler and a retailer |

4 Put one of the following words in each space in the sentences below.

in on for with at by inside back

- | | |
|--|---|
| (a) These jackets are reduced _____ price. | (e) There is normally a label _____ a jacket. |
| (b) The assistant advised me to try the coat _____. | (f) I took it _____ to the shop to complain. |
| (c) I want to look _____ the animals _____ the pet shop. | (g) 'Is something wrong _____ it?' he said. |
| (d) He bought many things _____ mail order. | (h) I asked _____ a refund. |

Sport

Sports facilities and athletics

1 Put each of the following words or phrases in its correct place in the passage below.

officials pools courts stadium rink field events athletes
rings pitches scoreboard spectators track events

There's a big new sports centre near my home. There are football (a) _____, tennis and basketball (b) _____, swimming (c) _____, a sports hall with two boxing (d) _____ and even a skating (e) _____. There is also a separate athletics (f) _____, where 20,000 (g) _____ can watch the (h) _____ on the track and the (i) _____, such as jumping and throwing, in the grass centre. The (j) _____ get ready in modern changing rooms and the (k) _____ time and measure the events with modern equipment. A huge electronic (l) _____ shows the results.

Football

2 Instructions as above.

draw track suits captains match referee amateurs team
toss a coin players crowd gymnasium train

I play football for my local (a) _____ against other sides in the area. Of course the (b) _____ aren't paid, we're just (c) _____. But anyway we (d) _____ very hard in the evenings and we're lucky because we can use the (e) _____ of a local school. On the day of the (f) _____ we arrive early, change, and put on (g) _____ to keep warm. Then the (h) _____, dressed in black, calls the two (i) _____ to the centre to (j) _____ to decide who will play in which direction. Not many people come to watch the game. We usually have a (k) _____ of only one or two hundred. But we enjoy it, whether we win, lose or (l) _____.

3 Explain the difference between . . .

- | | |
|--------------------------------|------------------------------------|
| (a) amateurs and professionals | (c) to win and to beat |
| (b) a winner and a runner-up | (d) a hurdle race and a relay race |

4 Put one of the following words in each space in the sentences below.

on for of at in between

- Which team does he play _____?
- She put _____ her tracksuit.
- There's an exciting race taking place _____ the track.
- I'm not very good _____ running.
- She's the best player _____ the team.
- There was a crowd _____ 50,000 _____ the stadium.
- The result _____ the football match was a 2:2 draw.
- The match was _____ England and Scotland.
- A runner-up comes second _____ a race or competition.

Television and Newspapers

Television

1 Put each of the following words or phrases in its correct place in the passage below.

viewers subjective mass media quiz shows indoctrinate
channels objective soap operas commercials switch

(a) _____ is a phrase often used to describe ways of giving information and entertainment to very large numbers of people. It includes newspapers, advertising and radio and, of course, television. In most countries people can (b) _____ to any of three or four different (c) _____. Do television programmes influence our minds? Do they (d) _____ us? Is the news completely (e) _____ (neutral) or is it (f) _____ (considered from one particular point of view)? Don't the (g) _____ for alcohol, food and other goods condition our minds? Even the (h) _____ going on week after week telling the story of one family or group of people sometimes make us want to copy the life style we see on the screen. Also (i) _____ which give people big prizes for answering simple questions can make us greedy. Some programmes are watched by tens of millions of (j) _____.

Newspapers

2 Instructions as above.

cartoons editorials circulation censorship sensational views
advertising gossip columns news agencies reviews headlines
entertainment correspondents

A newspaper makes its money from the price people pay for it and also from the (a) _____ it carries. A popular newspaper with a (b) _____ of over five million daily makes a lot of money. Less serious newspapers are probably read just for (c) _____. They have big (d) _____ above the news stories, funny (e) _____ to look at and (f) _____ photos of violence. The (g) _____ are full of stories of the private lives of famous people. No one takes the political (h) _____ of such papers very seriously. On the other hand, in a free country where there is no (i) _____, serious newspapers are read principally for their news, sent to them by their (j) _____ round the world and by the big (k) _____. People also read these newspapers for their (l) _____ of new books, films and plays and for their (m) _____, which represent the opinion of the newspaper itself about the important events and issues of the moment.

3 Explain the difference between . . .

- (a) viewers and listeners
- (b) mass circulation and small circulation
- (c) editor, reporter and critic

4 Put one of the following words in each of the sentences below.

in on over for to

- (a) This programme is boring. Switch _____ another channel.
- (b) It's a commercial _____ beer.
- (c) That actor's _____ a soap opera every Friday.
- (d) What's _____ television tonight?
- (e) If you don't like this quiz show, you can switch _____.

Theatre

Parts of a theatre 1 Match each part of a theatre on the right with a definition on the left.

- | | |
|---|---------------|
| (a) where actors put on their costumes and make-up | stalls |
| (b) area on which the performance takes place | aisle |
| (c) a line of seats | circle |
| (d) a way down from back to front between the seats | dressing room |
| (e) the area of downstairs seats | stage |
| (f) the area of upstairs seats | box office |
| (g) the theatre entrance hall where people meet before going in | row |
| (h) the place where you go or phone to buy tickets | backstage |
| (i) the whole area out of sight of the audience | box |
| (j) a little private balcony with 3-5 seats only | foyer |

Producing a play 2 Put each of the following words or phrases in its correct place in the passage below.

reviews performances audience rehearsals first night director
run theatre-goers parts hit cast flop critics playwright
matinées applause auditions

The person who directs the preparation of a play is the (a) _____. Sometimes the (b) _____, who wrote the play, works with him. One of the first things to be done is to choose the (c) _____, the actors and actresses. For this purpose, (d) _____ are held at which actors perform short pieces and the most suitable are chosen for the (e) _____ in the play. Before the play is performed in front of an (f) _____ of hundreds of (g) _____, of course there are a lot of (h) _____. At last, the (i) _____! When the curtain goes down at the end, will there be enthusiastic (j) _____ or silence? Will the newspaper (k) _____ be good or bad? What will the (l) _____ think? Everyone hopes for a (m) _____ that will (n) _____ for months or even years, but the play might be a (o) _____ and only last a few days. It's hard work in the theatre. There are evening (p) _____ six nights a week and afternoon shows, called (q) _____, once or twice as well.

3 Put one of the following words in each of the spaces below.

to in behind during at on

- We sat _____ the stalls.
- The usherette showed us _____ our seats.
- There were two actors _____ the stage.
- You'd better ask _____ the box office.
- My favourite actress was _____ the play.
- During the performance, work is going on _____ the scenes.
- People usually have a drink or a cigarette _____ the interval.
- Our seats were _____ the third row.
- He prefers to sit _____ the front; she likes to be _____ the back.
- I like to sit _____ the middle.

Travel

Holidays

- 1 Put each of the following words or phrases in its correct place in the passage below.

peak off the beaten track hitch-hiking leisure off-peak resort
package holiday youth hostels travel agents cut-price tickets

People have more money and more (a) _____ nowadays and even young people can afford to go abroad. Many (b) _____ offer cheap (c) _____ for flights to all parts of the world, so youngsters can avoid the crowded, well-known places and get to less famous areas which are (d) _____. Instead of using public transport and hotels, they can travel by (e) _____ and stay at (f) _____. But most people prefer some kind of (g) _____ at a popular holiday (h) _____, which means that everything is arranged for you and the price you pay includes transport, food and accommodation. Try to avoid taking your holiday during the busy (i) _____ tourist season. It's more crowded and expensive. If possible, go in the quieter (j) _____ period.

Journeys

- 2 Put each of the following words in its correct place in the passage below. Some words must be used more than once.

trip travel journey cruise tour voyage flight

- (a) For general advice about _____, go to a travel agent.
(b) One day I would like to do the _____ by train and ship across Russia to Japan.
(c) We're going on a _____ of Europe, visiting 11 countries in five weeks.
(d) We went on a three-week _____ round the Mediterranean. The ship called at Venice, Athens, Istanbul and Alexandria.
(e) He once went by ship to Australia. The _____ took 3½ weeks.
(f) I'm going on a business _____ to Paris next weekend.
(g) Air France _____ 507 from Paris to New York will be taking off in ten minutes.
(h) The _____ from Heathrow Airport to the centre of London takes about 45 minutes by underground.
(i) On our first day in New York we went on a three-hour _____ of the city by bus, which showed us the main sights.
(j) During our stay in London we went on a day _____ to Oxford, and another to Windsor.

- 3 Explain the difference between . . .

- (a) a hotel and a bed and breakfast place
(b) seasick, airsick and carsick
(c) tour operator and travel agent
(d) at sea and at the seaside

- 4 Put one of the following words in each space in the sentences below.

in at by on

- (a) We went _____ car. (d) She arrived _____ London at midnight.
(b) We went _____ John's car.
(c) We went _____ a journey. (e) She arrived _____ the hotel.

War

The outbreak of war

1 Put each of the following words or phrases in its correct place in the passage below.

deteriorate mobilize hostile acts declare war clashes aggression outbreak forces ultimatum retaliate

For years there were border (a) _____ between troops of country X and those of country Z. Then (b) _____ from X attacked a village in Z. Z accused X of (c) _____ and began to (d) _____ in readiness for possible war. X warned Z: 'If you carry out (e) _____ against us, we will (f) _____.' But there was more fighting on the border. The situation had begun to (g) _____. X delivered an (h) _____ to Z. 'If you do not promise to respect our borders, we will (i) _____.' Finally came the (j) _____ of war.

Peace making

2 Instructions as above.

get involved withdraw intermediary peace treaty neutral targets peace-keeping force intervene ceasefire civilian

After months of fighting, during which (a) _____ as well as military (b) _____ were bombed, country X asked country Y, which had remained (c) _____ during the hostilities, to act as an (d) _____, but Y decided not to (e) _____. X then asked the United Nations to (f) _____. The United Nations managed to arrange a (g) _____ and stationed a multi-national (h) _____ between the two opposing armies. After weeks of talks, the two countries finally signed a (i) _____ and the UN troops were able to (j) _____.

3 Explain the difference between . . .

- | | |
|-------------------------------|--------------------------------------|
| (a) to advance and to retreat | (c) conventional war and nuclear war |
| (b) war and civil war | (d) an ally and an enemy |

4 Put one of the following words in each space in the sentences below.

as on in for out between

- (a) X declared war _____ Z.
(b) Troops are moving _____ readiness _____ an attack.
(c) Y didn't want to get involved _____ the fighting.
(d) The Second World War broke _____ in 1939.
(e) Canada acted _____ an intermediary _____ the argument.
(f) War planes carried _____ an attack.
(g) The peace-keeping force remained _____ the two enemy armies during peace talks, then withdrew.

Welfare State

1 Put each of the following words or phrases in its correct place in the passage below.

elderly medical treatment physically disabled pension schooling
mentally handicapped eligible out of work social services benefits
social workers welfare state retire subsidized low incomes

A country which helps its old, sick, disabled and unemployed is called a (a) _____. (b) _____ people receive a state (c) _____ when they (d) _____ at the age of 60 or 65. People with (e) _____ who cannot afford to buy or rent decent accommodation are given houses or flats with (f) _____ rents, which means that the government or local council supports the rent to keep it low. Sick people get free (g) _____ from their doctor or at the hospital. Mothers of small children get special state financial (h) _____, and of course older children receive free (i) _____. (j) _____ people, who cannot move normally, and (k) _____ people, whose minds are not fully developed, also receive special assistance and, if necessary, special equipment to help them live normal lives. People who are (l) _____ are normally (m) _____ to receive unemployment benefit, which is paid by the state. The (n) _____ (government departments responsible for people's well-being) will help people who, financially, physically or psychologically, have difficulty in coping with life and (o) _____ will visit such people in their homes.

2 Explain the difference between . . .

- (a) advice and advise
- (b) blind and deaf
- (c) free and subsidized
- (d) a hearing aid and braille
- (e) haves and have-nots

3 Put one of the following words in each space in the sentences below.

for of at with out in

- (a) Disabled people sometimes find it difficult to cope _____ public transport.
- (b) He's been _____ work for over a year.
- (c) _____ a welfare state, the government is responsible _____ people's well-being.
- (d) Social workers visited her _____ her home.
- (e) He retired _____ the age _____ 65.
- (f) After his accident, he received a disability pension _____ the rest of his life.

Work

Applying for a job

1 Put each of the following words or phrases in its correct place in the passage below.

references short-list experience vacancy qualifications fill in application forms interview applicants apply

In times of high unemployment there are usually very many (a) _____ when a (b) _____ is advertised. Sometimes large numbers of people (c) _____, and send off (d) _____ for a single job. It is not unusual, in fact, for hundreds of people to (e) _____ to a firm for one post. This number is reduced to a (f) _____ of perhaps six or eight, from whom a final choice is made when they all attend an (g) _____. Very possibly the people interviewing will be interested in the (h) _____ the candidates gained at school or university and what (i) _____ they have had in previous jobs. They will probably ask for (j) _____ written by the candidates' teachers and employers.

Choosing the right job

2 Instructions as above.

commute salary prospects promotion retire pension ambitious perks increments commission

Job satisfaction is important but I have a wife and baby so I have to think about money too. If a job interests me, I need to know what (a) _____ it offers and also whether there are regular annual increases, called (b) _____. I want to know if I will receive a (c) _____ when I (d) _____ at the age of 60 or 65. If the job is selling a product, I ask if I'll receive a percentage of the value of what I sell, called (e) _____. It is also important to know if there are extra advantages, like free meals or transport, or the free use of a car. These are called (f) _____ or fringe benefits. Are the future (g) _____ good? For example, is there a good chance of (h) _____ to a better job, with more money and responsibility? Is the job near my home? If it isn't, I'll have to (i) _____ every day and this can be expensive. I am very keen to be successful. I am very (j) _____. I don't want to stay in the same job all my life.

3 Put one of the following words in each space in the sentences below.

at in for to as off of

- (a) I'm interested _____ this job.
- (b) What did you study _____ university?
- (c) He has applied _____ British Airways _____ a job _____ an office manager.
- (d) This job advertisement looks interesting. I'll send _____ an application form.
- (e) Have you filled _____ the form yet?
- (f) You must send _____ the form by 20 May.
- (g) He's been _____ that job for two years.
- (h) She retired _____ the age of 60.
- (i) A commission means you get a percentage _____ what you sell.
- (j) The use _____ a company car is a nice perk to have.
- (k) The sixty applicants were reduced _____ a short-list of four.

MINI TOPICS

Argument

Put each of the following words in its correct place in the passage below.

disagreement friction nag resentment aggressive row
troublemaker jealous

I've always had a feeling of (a) _____ towards my older brother, John, because he always received more attention from our parents. There has always been (b) _____ between us. And now that I'm more successful than he is in my job, he is (c) _____ of me. We've never actually had a (d) _____, just the occasional (e) _____, but we've never got on well. And his wife likes to make things worse. She's a real (f) _____, a nasty, argumentative, quarrelsome, (g) _____ woman. I've heard her (h) _____ John continually to get a better job, a bigger house, a nicer car.

Sadness

Instructions as above.

sob heartbroken withdrawn grief recover loss tears
miss sleepless comfort

When Susan's cat was killed by a car she burst into (a) _____ and began to (b) _____ so loudly that the neighbours next door heard her. She was (c) _____ by the (d) _____. Her mother tried to (e) _____ her but Susan's (f) _____ was so great that it was three days (and three (g) _____ nights) before she began to (h) _____ enough to eat normally. Even then she talked to no one and was silent and (i) _____ for weeks. I think she'll always (j) _____ her pet.

Nervousness

Instructions as above.

blush sweat tongue-tied nerves embarrassment stammer
tremble tranquillizer faint shy

I have to tell you that my (a) _____ aren't very good. Last week I went for a job interview and my hands began to (b) _____, my palms started to (c) _____ and my face was red because I always (d) _____ with (e) _____ on these occasions. I've always been very (f) _____ with other people. When I was asked questions I was completely (g) _____ and I could only (h) _____. I felt (i) _____ and wished I had a (j) _____ to calm me down. I didn't get the job. A pity. I would like to have been a television newsreader.

Success

Put each of the following words in its correct place in the passage below.

achieve confidence ladder ambitious exploit achievement
determined power ruthless ability

I've never been (a) _____ in the normal sense. I've never wanted to be a manager or director. I've never wanted to reach the top of the (b) _____ or to have (c) _____. But I've always had a wish to (d) _____ something, to write a book, climb a mountain, win a prize. This is not because I want fame or money but just that simple feeling of (e) _____ you get when you've done something difficult. I'm not very sure of myself and it would be good for my (f) _____ to succeed in something. Some people will lie, (g) _____ other people, be dishonest, do anything, in order to succeed. They will be absolutely (h) _____. But I think the people who deserve to succeed are those who are (i) _____ and have (j) _____.

Fame

Put each of the following words or phrases in its correct place in the passage below.

interviews bodyguards break-up privacy in the public eye
autographs celebrity pressures entourage fans

Being famous, being a (a) _____ can mean wealth, recognition and being surrounded by an (b) _____ of helpers, secretaries and agents. It can mean giving (c) _____ to admiring (d) _____ and (e) _____ to the press. But being (f) _____ also has its disadvantages. Famous entertainers suffer from a lack of (g) _____. They need (h) _____ to protect them. The constant (i) _____ on them can lead to the (j) _____ of their marriages. This is the price of fame.

Pride

Instructions as above.

boast proud vain thick-skinned conceited pride snob
contemptuous

Mrs Watson next door thinks she is better than other people. She thinks she is superior, 'high class'. In other words, she's a (a) _____. She is very (b) _____ of herself and very (c) _____ of other, 'ordinary' people. I've heard her (d) _____ to neighbours about her lovely house, her big car, her husband's high salary. She's a very (e) _____ person too, always admiring herself in a mirror. Mr Watson also has a very high opinion of himself. His neighbours think that he is a very (f) _____ person, but the Watsons are both so (g) _____ that other people's criticism of them has no effect on them at all. I think that one day they'll find that they have no friends left, and then they'll be sorry. (h) _____ comes before a fall.

Birth

Put each of the following words or phrases in its correct place in the passage below.

pregnant born maternity ward midwife prams deliver call
parents expecting cots crawl

When a woman is (a) _____ a baby, we say that she is (b) _____. Babies are (c) _____ either at home or in the (d) _____ of a hospital. It is the job of a doctor or a (e) _____ to (f) _____ new babies. The proud (g) _____ must soon decide what to (h) _____ the child. For the first six months of their lives most babies are taken out in (i) _____ and sleep in (j) _____. At eight months or so they learn to (k) _____ along the floor, and they can usually walk soon after their first birthday.

Childhood and Adolescence

Put each of the following words in its correct place in the passage below.

hobbies development extroverts adult relationships
daydreams adults introverts idolize teens

Children live in their own world, from which (a) _____ are largely excluded. The (b) _____ world is strange and exciting to them. They have (c) _____ of success, adventure, romance and fame. They (d) _____ their big brothers and sisters, pop singers or film stars. (e) _____ such as stamp-collecting, music or dancing are important to them. Children, especially when they are in their (f) _____, go through a physical and emotional (g) _____ which can be frightening. Their characters also begin to develop. Some adolescents are (h) _____ and keep themselves to themselves, while others are (i) _____ and like to share their thoughts and form (j) _____ with other people. It's a wonderful, terrible time.

Death

Instructions as above.

mourners crematorium dead funeral widow cemetery
will leave inherits hearse priest

The body of a person who has died is taken in a special car called a (a) _____ to the (b) _____ service, which is conducted by a (c) _____. The relatives and friends of the (d) _____ person, who are called the (e) _____, are there. Then the wooden coffin is buried in a grave in the (f) _____ or cremated in a (g) _____. When people get older they usually make a (h) _____ and (i) _____ their money and other things to their family and friends. When a man dies, it is usually his (j) _____ who (k) _____ his property.

Advertising

Put each of the following words or phrases in its correct place in the passage below.

hoardings classified advertisements publicize commercials
posters advertising agencies persuade eye-catching

Advertisements are everywhere, from columns of small (a) _____ for houses, jobs, cars etc. in newspapers to big (b) _____ on walls and enormous advertisements on (c) _____ by the side of the road. The job of the (d) _____ is to (e) _____ the products of the firms who employ them. They design (f) _____ advertisements and make television (g) _____ to (h) _____ us to buy, buy, buy.

Art

Put each of the following words in its correct place in the passage below.

galleries works dealers professional sculptor creative
sculpture painter amateur reproductions

One of the most (a) _____ things anyone can do is to make a work of art, whether it's a (b) _____ making a (c) _____ or a (d) _____ painting pictures. (e) _____ artists do it for their own satisfaction and pleasure, but (f) _____ artists have to make a living from their art and they are dependent on (g) _____ to sell their (h) _____ in city (i) _____. I myself have three Picassos, a Botticelli and a Van Gogh. They're (j) _____, not originals, but they're all I can afford.

Photography

Instructions as above.

prints album enlargements snaps slides camera projector
develop

A lot of people buy a (a) _____ just to take holiday (b) _____. They have (c) _____ made and put them in an (d) _____ or sometimes they prefer (e) _____, which they can show on the wall or screen with a (f) _____. Other people are more serious. They (g) _____ and print their films themselves in their own darkroom at home. If they want big pictures they make (h) _____.

Military Service

Put each of the following words or phrases in its correct place in the passage below.

army compulsory forces volunteers navy promotion officer
air force

In some countries military service is (a) _____. All young men and sometimes young women must spend a year or two in the (b) _____. (In Britain they don't have to. All members of the armed services are (c) _____.) To be a soldier you join the (d) _____, to be a sailor you join the (e) _____ and to be an airman you join the (f) _____. If you are good at your job and can take responsibility, you might get (g) _____ and become an (h) _____.

Police

Instructions as above.

walkie-talkie join plain clothes detective police force rank
policeman uniform

Alan is now old enough and tall enough to (a) _____ the (b) _____. At first, of course, he'll be an ordinary (c) _____ of the lowest (d) _____. He'll wear a (e) _____ and go out in the streets keeping in touch with the police station with his (f) _____. Then he'd like to be a (g) _____ in (h) _____ investigating serious crime.

Security Work

Instructions as above.

guards tap armoured vehicles bullet-proof kidnappers couriers
bug security firm private detectives

I run a (a) _____ which offers a complete range of security services. We have (b) _____ with special (c) _____ windows to transport money and other valuable items. We can supply trained (d) _____ to protect exhibits at art shows and jewellery displays. We can advise you if you think someone is trying to (e) _____ your phone or (f) _____ your private conversations at home or in the office with hidden microphones. We have ex-policemen whom you can hire as (g) _____ and special (h) _____ to deliver your valuable parcels anywhere in the world. We can protect you or your children against possible (i) _____.

The Countryside

Put each of the following words or phrases in its correct place in the passage below.

farms unpolluted relaxed rural wildlife pace national parks
cultivated remote villages

Away from the urban problems of the city lies the (a) _____ peace and quiet of the countryside. The air is more likely to be clear and (b) _____, the (c) _____ of life is slower, and the people living in small (d) _____ more (e) _____ and friendly. Some land is (f) _____ and you'll see crops growing, as well as animals grazing, on the (g) _____. Some areas of particular natural beauty are designated as (h) _____ by the government, and here (i) _____ can live and move about safely. It is in places (j) _____ from the noisy cities that you can experience the true beauty of nature.

The Seaside

Put each of the following words in its correct place in the passage below.

lifeguards depth waves shallow horizon beach drown
dive currents cliffs

Many people's idea of relaxation is to sit on a sandy (a) _____ gazing at the broad (b) _____ or watching the (c) _____ roll in one after the other. But the sea can be dangerous and every year hundreds of bathers (d) _____ either when they are carried out to sea by strong (e) _____ or simply because they can't swim and find themselves out of their (f) _____ with their feet no longer touching the bottom. And hundreds more have to be rescued by (g) _____. If you want to (h) _____ into the sea, from rocks or some other high point, make sure it's deep enough. If it's (i) _____, you could seriously injure yourself. And finally, if you decide to walk along the high (j) _____ overlooking the beach and the sea, don't go too near the edge.

Mountains

Instructions as above.

mountaineers ropes oxygen ascent peak equipment range
height descent climb

The Himalayas are the best-known mountain (a) _____ in the world and Mt Everest, with a (b) _____ of 8,880 metres is the highest mountain. Since Edmund Hillary made the first (c) _____ in 1953, (d) _____ from many countries have managed to (e) _____ to the (f) _____. Normally they need to take (g) _____ cylinders to help them breathe and other special (h) _____, including (i) _____ to connect themselves to each other. It's a dangerous sport and many people have lost their lives, not just on the way up but during the (j) _____ as well.

Electrical Appliances

Put each of the following words in its correct place in the passage below.

electrician adjust switch lead controls dealer plug knob
socket unplug

When you buy a television, radio or cassette recorder make sure it has a long enough (a) _____. (b) _____ it in at the most convenient (c) _____ in your room, and then (d) _____ on. You normally (e) _____ the volume by turning a (f) _____, and there are other (g) _____ as well. It is probably best to (h) _____ the appliance when it is not in use. If you have any trouble with it, ask an (i) _____ to look at it or take it back to the (j) _____ you bought it from.

The Telephone

Put each of the following words or phrases in its correct place in the passage below.

receiver line look up engaged dial directory get through
operator

How easy it is to use the telephone! Nowadays we usually don't need the (a) _____ to connect us to friends in other countries. We can (b) _____ the number in the telephone (c) _____, pick up the (d) _____ and (e) _____ the number. If the number is not (f) _____, we (g) _____ straightaway and if it's a good (h) _____, we can have a clear, easy conversation with people on the other side of the world.

Computers

Instructions as above.

software computers screen word processor hardware calculator
keyboard printer

So you only have a pocket (a) _____ to do additions, multiplications and so on, and you want to know about real (b) _____? Right. Well, the machines themselves are called the (c) _____ and the programs that you feed into them are called the (d) _____. If you want to see the results of what you are doing, you'll need a (e) _____ or you'll have to plug in to a television set. You'll operate your machine like a typewriter by pressing keys on the (f) _____. If you want a record on paper of what you're doing, you'll need a (g) _____, and if you want a machine which will enable you to see, arrange, re-arrange and then print a page of material, then the machine you want is a (h) _____. You want colour? Well, you can . . .

Factory Work

Put each of the following words or phrases in its correct place in the passage below.

labour relations tea break apprentice factory canteen foreman
white collar management shop floor manual

I like to work with my hands; in other words, I like (a) _____ work. I have never wanted to be a (b) _____ worker, as I would be bored with office work. So I have been taken on as an (c) _____ in a (d) _____ for two years to learn to be a machine-operator. I work with a group of men under a (e) _____, who tells us what to do, when we can go to the (f) _____ for lunch or take a (g) _____ and so on. (h) _____ are quite good and the (i) _____ spend a lot of time on the (j) _____ mixing with the workers. I've got no complaints.

Office Work

Instructions as above.

typewriter callers stationery dictate shorthand correspondence
filing cabinets file

I do general work in a small office. I deal with all (a) _____ coming into and sent from the office and (b) _____ these letters alphabetically in big metal (c) _____ near my desk. I answer the telephone and give (d) _____ the information they want. If the manager wants to (e) _____ a letter, I take it down in (f) _____ on my pad and type it on my electric (g) _____. Of course it's important that we always have enough paper and envelopes and so on, and it's one of my jobs to buy this (h) _____ when we need it. I don't know what they'd do without me!

A Strike

Instructions as above.

dispute unemployment go on strike dismiss deadlock
shop steward on the dole redundant picket line

1,600 workers at the Ace Cycle Factory decided to (a) _____ last week following a (b) _____ with the management, who last month decided to (c) _____ two men for unsatisfactory work. The men complained to their (d) _____, who told the union. The management and the union have had talks but these soon ended in (e) _____. The area in which the factory is situated is already an area of high (f) _____, with one adult in five (g) _____ (out of work and receiving state aid). The striking workers have formed a (h) _____ outside the factory gates to prevent other workers from going in to work. The management say that 20% of the workers will have to be made (i) _____ next year anyway because of the decreased demand for cycles.

RELATED WORD GROUPS

Sounds

1 Put each of the following words in its correct place in the sentences below.

rumble whistle crash squeal roar creak rustle bang
clatter splash

- (a) We heard a _____ of tyres. It was a police-car turning a corner at top speed.
- (b) The plates and glasses fell to the floor with a _____.
- (c) We live near the airport and there's a terrible _____ every time a plane goes overhead.
- (d) The day was very quiet and we could hear the _____ of leaves in the wind.
- (e) He fell into the water with a great _____.
- (f) I heard a _____. It sounded like a gun-shot.
- (g) It was an enormous, heavy, old, wooden door and it used to _____ loudly when anyone opened it.
- (h) It was the best football match I've ever seen. Both teams played hard until the final _____.
- (i) The metal tray fell down the stone stairs with a _____.
- (j) I could hear the _____ of thunder in the distance.

2 Instructions as above.

hum peal crack tick squeak pop pips jingle

- (a) There was no sound except the quiet _____ of the air-conditioning.
- (b) At every hour on the radio there are six _____ so that people can check the precise time.
- (c) The champagne cork finally came out with a loud _____.
- (d) Be careful. The ice is very thin and I think I heard it _____.
- (e) To celebrate the happy event, all the church bells in the town began to _____.
- (f) I must oil my bike. There's a _____ somewhere in the back wheel.
- (g) The engine of a Rolls Royce is so quiet that even when the car is going fast you can hear the clock _____.
- (h) The animals had small bells round their necks, which used to _____ when they moved.

Animal Sounds

Match each animal with the sound it makes.

- | | | | |
|------------|-------------|--------------|---------------|
| (a) monkey | roar | (j) sheep | bleat |
| (b) lion | cluck | (k) elephant | bray |
| (c) dog | miaow, purr | (l) pig | hiss |
| (d) cat | chatter | (m) donkey | trumpet |
| (e) horse | crow | (n) frog | grunt, squeal |
| (f) hen | bark, growl | (o) snake | squeak |
| (g) cock | moo | (p) duck | howl |
| (h) bee | neigh | (q) wolf | quack |
| (i) cow | buzz | (r) mouse | croak |

Human Sounds

Put each of the following verbs in its correct place in the sentences below.

sniff cough puff yawn hiccup stammer snore sigh pant
whisper sneeze groan

- (a) He was so nervous he could only _____, 'I . . . I . . . I . . . I'm pleased to meet you.'
- (b) Don't _____ all the time. Use a handkerchief and blow your nose.
- (c) If we are out of breath after running we _____ and _____.
- (d) It is said that people _____ if they sleep with their mouths open and on their backs.
- (e) He drank a lot of beer quickly and began to _____.
- (f) If you have a cold and you _____, English people often say, 'Bless you'.
- (g) Don't speak so loud! Just _____ . The children are asleep.
- (h) I always used to _____ in history lessons. They were so boring.
- (i) He can't stop talking. We always _____ with relief when he goes away.
- (j) Smoking always makes me _____.
- (k) My children _____ when I tell them they must go to bed.

Ways of Looking

Put each of the following verbs in its correct place in the sentences below.

frown stare peep wink glance blink peer glare gaze
glimpse

- (a) That man does look rather strange but you shouldn't _____ at him.
- (b) He made a hole in the fence so that he could _____ through without being seen.
- (c) If you go out into bright sunlight after being in the dark, you sometimes _____.
- (d) Small boys often stand outside the bicycle shop and _____ at the wonderful machines in the window.
- (e) We _____ if we are rather annoyed or if we are concentrating.
- (f) Did you _____ someone pass the window a moment ago? I thought I just saw someone.
- (g) I thought he was serious until I saw him _____ at me to show he was joking.
- (h) Grandfather has very bad eyes. He has to _____ at the newspaper to read it.
- (i) I saw the motorist get out of his car and _____ furiously at the other driver who had run into the back of him.
- (j) I saw him _____ quickly at his watch.

Walking

Put each of the following verbs in its correct place in the sentences below.

stray crawl trip dash trudge slip creep limp stagger
wander stroll march

- (a) He was completely drunk. I watched him _____ across the road and fall down.
- (b) It's very pleasant for a tourist to _____ round a new city with no particular purpose or destination.
- (c) It was a lovely day so we decided to _____ in the park for an hour.
- (d) His injured foot made him _____ badly.
- (e) Be careful or you'll _____ on this icy bit of pavement.
- (f) Everyone was asleep when I returned so I had to _____ to my room without making a noise.
- (g) If you join the army, you'll have to learn to _____.
- (h) Please don't _____ away from the main group or you'll get lost.
- (i) Before babies can walk, they can only _____ on their hands and knees.
- (j) I'm afraid someone will _____ over that piece of wood and fall.
- (k) It began to rain and we had to _____ into a shop to keep dry.
- (l) The exhausted men had to _____ for five miles through the snow.

Body Movements

1 Match each item on the left with the most suitable phrase on the right.

- | | |
|------------------|-----------------------------------|
| (a) He flexed | his head in disagreement. |
| (b) He shook | his fists angrily. |
| (c) He clenched | his neck to see better. |
| (d) He craned | his muscles proudly. |
| (e) He snapped | his forehead with a handkerchief. |
| (f) He shrugged | his foot in time to the music. |
| (g) He wiped | his shoulders. |
| (h) He folded | his breath under water. |
| (i) He scratched | his knee because it was painful. |
| (j) He held | his arms and relaxed. |
| (k) He tapped | his head thoughtfully. |
| (l) He rubbed | his fingers to get attention. |

2 Instructions as above.

- | | |
|-----------------|--|
| (a) He trembled | in the hot sun. |
| (b) He shivered | with embarrassment. |
| (c) He sweated | with fear. |
| (d) He blushed | when he heard the sad news. |
| (e) He sobbed | with cold. |
| (f) He started | after going without food for three days. |
| (g) He dozed | in surprise at the sudden noise. |
| (h) He fainted | in his armchair after a hard day's work. |

3 Instructions as above.

- | | |
|-------------------|---|
| (a) She nodded | when she saw her friend getting off the bus. |
| (b) He bowed | when his commanding officer entered the room. |
| (c) She curtseyed | in agreement. |
| (d) She waved | when she was introduced to the Queen. |
| (e) He smiled | when he was introduced to the Queen. |
| (f) He saluted | to show the shop assistant what he wanted. |
| (g) She fidgeted | because he was happy. |
| (h) He pointed | after sitting in the same position for so long. |

4 Put each of the following verbs in its correct place in the sentences below.

punch grope grab stretch pat slap squeeze nudge
beckon stroke

- (a) After driving his taxi all day, Teddy likes to get out and _____ his arms and legs.
- (b) Some parents _____ their naughty children.
- (c) If he says that to me again, I'll _____ him on the nose.
- (d) When I was small, my father used to _____ me on the head when he was pleased with me.
- (e) She loved cats, and always used to stop and _____ any cat she saw.
- (f) Several people saw two men smash the shop window, _____ some diamonds, get into their car and drive away.
- (g) He was slim so he was just able to _____ between the two tables.
- (h) It was absolutely dark and I had to _____ in front of me to find the door.
- (i) My brother went to sleep during the church service and I had to _____ him with my elbow to wake him.
- (j) When it's your turn for a luggage check, the customs officer will _____ you to come forward.

Containers

Match each container on the left with its contents on the right.

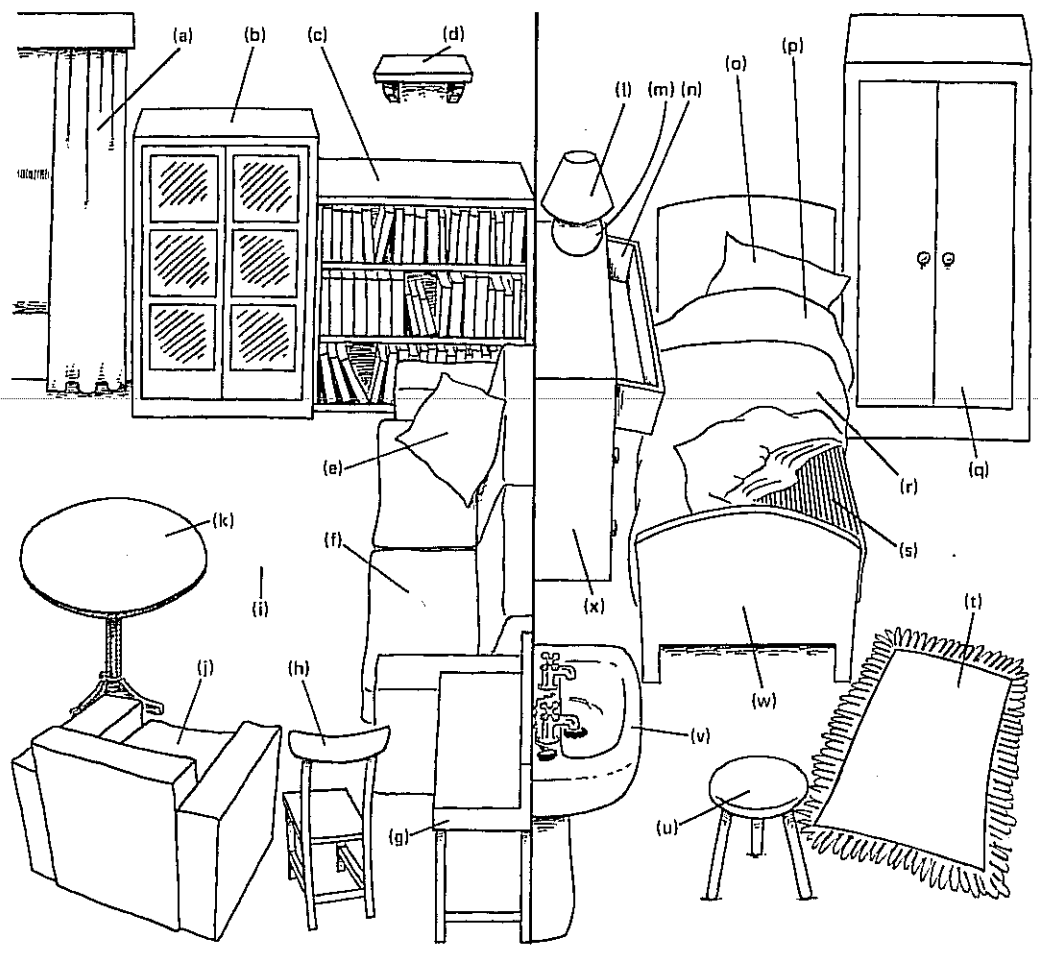
- | | |
|--------------|---|
| (a) basket | clothes and personal things for a long stay |
| (b) trunk | coins |
| (c) tank | bank notes, tickets |
| (d) safe | shopping |
| (e) vase | petrol, water |
| (f) purse | suits, jackets, dresses |
| (g) wallet | cash, secret documents, jewellery |
| (h) kettle | boiling water |
| (i) wardrobe | flowers |

- | | |
|---------------------|---|
| (j) briefcase | school books |
| (k) envelope | clothes and belongings for a week's holiday |
| (l) jug | letter |
| (m) suitcase | water, milk |
| (n) barrel | waste paper |
| (o) satchel | beer |
| (p) bin | hot tea, cold drinks |
| (q) box | business papers |
| (r) (thermos) flask | chocolates, matches |

Furniture and Fittings

Match each item from the following list with the correct letter from the pictures below.

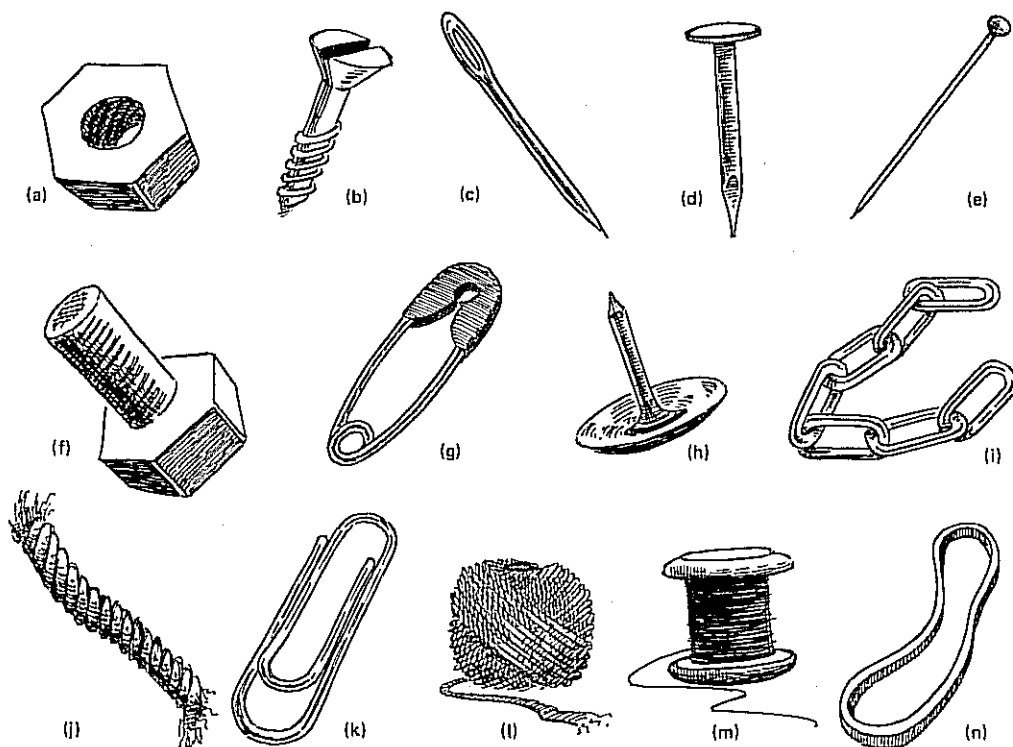
- table bed carpet bookcase cushion chair pillow rug
 shelf curtains armchair mattress sofa cupboard stool
 desk wardrobe lamp chest of drawers sheet drawer
 washbasin lampshade blanket



Connectors

1 Match each of the following connectors with the correct picture below.

nail nut pin screw bolt safety pin needle drawing pin
chain paper clip rope string rubber band thread



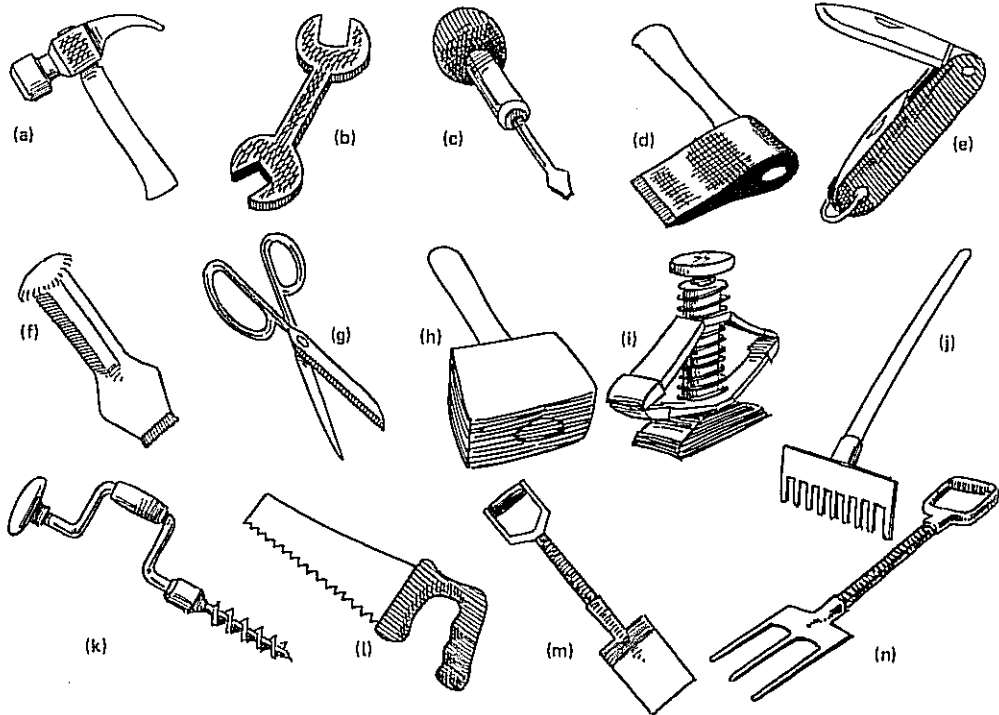
2 Complete each of the following sentences with the correct connector from the list above, making it plural if necessary.

- We sew cloth with a _____ and _____.
- We tie up a parcel with _____.
- Mountaineers use _____ to keep together and avoid falling.
- To keep a baby's nappy in place we use _____.
- We use a hammer to knock a _____ into wood.
- To pin a notice to a notice board we use a _____.
- To keep pieces of cloth together in dressmaking we use _____.
- We keep pieces of paper together firmly with a _____.
- Different parts of a bicycle and other machines are kept together with _____ and _____.
- We use a screwdriver to put in or take out _____.
- Large ships in port are kept in place with heavy iron _____.
- The postman keeps all the letters for one street together with a _____, made of elastic.

Tools

1 Match each of the following tools with the correct picture below.

spanner hammer screwdriver axe saw spade penknife
 chisel fork drill scissors mallet jack rake



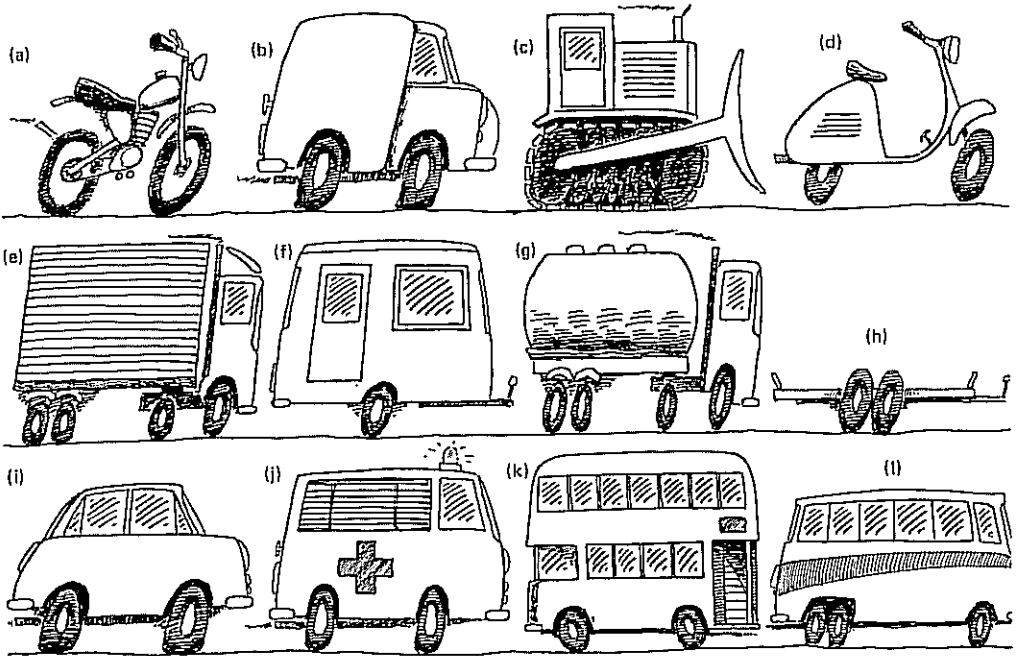
2 Complete each of the following sentences with the correct tool from the list above.

- (a) We cut paper or cloth with a pair of _____.
- (b) We put in and take out screws with a _____.
- (c) We dig holes in the ground with a _____.
- (d) We make holes in wood, metal or stone with a _____.
- (e) We raise a car to change a wheel with a _____.
- (f) We knock nails into wood with a _____.
- (g) We cut down trees with an _____.
- (h) We carve wood or stone with a _____.
- (i) We hit a chisel with a _____.
- (j) We collect dry leaves and make earth level with a _____.
- (k) To cut string and other things, we carry in our pocket a folding _____.
- (l) We turn the earth over in the garden with a spade or _____.
- (m) We saw wood with a _____.
- (n) We tighten or loosen nuts and bolts with a _____.

Vehicles

Match each of the following vehicles with the correct picture below.

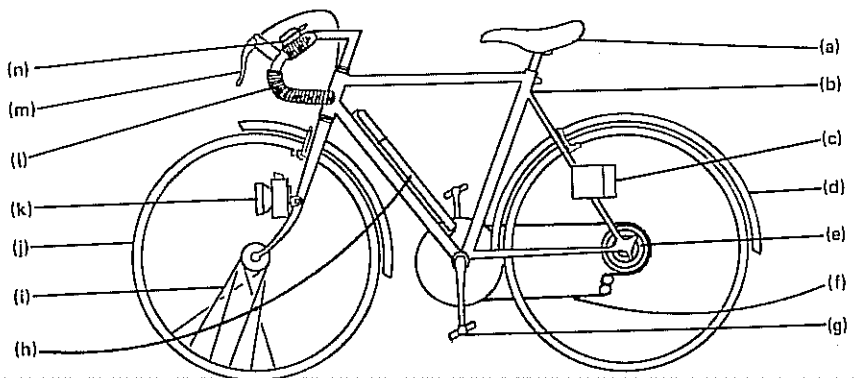
car lorry motorbike ambulance caravan van bus tanker
bulldozer coach trailer scooter



Bicycle

Match each of the following bicycle parts with the correct letter in the picture below.

saddle frame brakes mudguard chain gears spokes bell
handlebars pedal tyre front light back light pump



Collective Nouns

Put each of the following collective nouns in its correct place in the sentences below, making it plural if necessary. Some nouns must be used more than once.

flock herd bundle mob stack suite audience swarm
shoal bunch set crowd fleet congregation crew
flight clump gang pack

- (a) The _____ of the British Royal Navy was very strong in the nineteenth century.
- (b) Disease reduced the farmer's _____ from 90 to 65 cows.
- (c) She was attacked by a _____ of wasps.
- (d) A _____ of shouting people overturned cars, set fire to shops and attacked a police station.
- (e) The Prime Minister occupied a _____ of rooms at the hotel.
- (f) Some spectators in the _____ disagreed with the referee's decision.
- (g) He bought a large _____ of bananas.
- (h) The priest was very sad to see his _____ getting smaller week by week.
- (i) Fishing boats use modern equipment to locate the _____ of fish.
- (j) She lost her balance and fell down a _____ of steps.
- (k) He was the leader of a well-known _____ of criminals.
- (l) We sat down in the shade of a _____ of trees.
- (m) In spring _____ of birds arrive back in Britain after spending the winter in Africa.
- (n) Our picnic was completely ruined by a _____ of ants.
- (o) He gave her a _____ of flowers.
- (p) British Airways has a _____ of 26 Boeing 747s.
- (q) She gave a _____ of old clothes to a charity organization.
- (r) The _____ applauded the new play enthusiastically.
- (s) Has anyone seen a _____ of keys? I left them somewhere.
- (t) Golf is an expensive game. You'll need a _____ of clubs.
- (u) The books were arranged in a _____ one on top of the other.
- (v) They've bought a leather three-piece _____ — a sofa and two armchairs.
- (w) Let's play a game. Who's got a _____ of cards?
- (x) That cruise ship carries 150 passengers and a _____ of 85.
- (y) The _____ of sheep was controlled by a shepherd and two dogs.
- (z) For their wedding I gave them a _____ of cutlery (6 knives, 6 spoons, 6 forks etc.).

Young Animals

For each animal below give the name of its young from the following list.

piglet kitten cub chick lamb calf foal duckling
puppy kid

- (a) wolf
- (b) horse
- (c) pig
- (d) fox
- (e) dog
- (f) cow
- (g) cat
- (h) lion
- (i) duck
- (j) sheep
- (k) goat
- (l) hen

Law Breakers

1 Match each person on the left with the correct definition on the right.

- | | |
|-------------------|---|
| (a) an arsonist | attacks and robs people, often in the street |
| (b) a shoplifter | sets fire to property illegally |
| (c) a mugger | is anyone who breaks the law |
| (d) an offender | breaks into houses or other buildings to steal |
| (e) a vandal | steals from shops while acting as an ordinary customer |
| (f) a burglar | kills someone |
| (g) a murderer | deliberately causes damage to property |
| (h) a kidnapper | steals things from people's pockets in crowded places |
| (i) a pickpocket | gets secret information from another country |
| (j) an accomplice | buys and sells drugs illegally |
| (k) a drug dealer | takes away people by force and demands money for their return |
| (l) a spy | helps a criminal in a criminal act |
| (m) a terrorist | uses violence for political reasons |

2 Instructions as above.

- | | |
|-----------------|---|
| (a) an assassin | causes damage or disturbance in public places |
| (b) a hooligan | hides on a ship or plane to get a free journey |
| (c) a stowaway | takes control of a plane by force and makes the pilot change course |
| (d) a thief | murders for political reasons or a reward |
| (e) a hijacker | is someone who steals |
| (f) a forger | makes counterfeit (false) money or signatures |
| (g) a robber | is a member of a criminal group |
| (h) a smuggler | steals money etc. by force from people or places |
| (i) a traitor | marries illegally, being married already |
| (j) a gangster | is a soldier who runs away from the army |
| (k) a deserter | brings goods into a country illegally without paying tax |
| (l) a bigamist | betrays his or her country to another state |

Occupations

1 Match each person on the left with the correct definition on the right.

- | | |
|----------------------|--|
| (a) a traffic warden | arranges shop-window displays |
| (b) a dustman | makes brick buildings and walls |
| (c) a window dresser | works in a government ministry |
| (d) an estate agent | controls parking and parking meters |
| (e) a secretary | collects rubbish from people's houses |
| (f) an undertaker | treats sick animals |
| (g) a bricklayer | helps people buy and sell houses |
| (h) a civil servant | sells newspapers and magazines from a shop |
| (i) a vet | delivers babies |
| (j) a newsagent | makes arrangements for funerals |
| (k) a midwife | deals with office correspondence and records |

2 Instructions as above.

- | | |
|---------------------------|--|
| (a) a chef | drives someone's car for them |
| (b) an architect | types letters in an office |
| (c) a librarian | designs buildings |
| (d) a fishmonger | operates on sick people |
| (e) a miner | cooks in a restaurant or hotel |
| (f) a curator | designs the insides of houses, hotels etc. |
| (g) an interior decorator | runs a museum |
| (h) a typist | works in a library |
| (i) a chauffeur | gets coal from under the ground |
| (j) a surgeon | sells fish from a shop |

3 Instructions as above.

- | | |
|-------------------|---|
| (a) an optician | rides racehorses |
| (b) a clown | loads and unloads ships in a port |
| (c) a jockey | sells valuable objects at an auction |
| (d) an auctioneer | makes people laugh at a circus |
| (e) an editor | tests people's eyes and sells glasses |
| (f) a docker | writes for a newspaper |
| (g) a chiropodist | sells flowers from a shop |
| (h) a butcher | represents his or her country at an embassy |
| (i) a reporter | sells meat |
| (j) a diplomat | prepares books, newspapers etc. for publication |
| (k) a florist | treats people's feet |

Male and Female

Complete each pair below by adding the male or female equivalent.

- | | | | |
|-----------------|-----------------|--------------|----------|
| (a) king | _____ | (k) actor | _____ |
| (b) _____ | bus conductress | (l) _____ | nun |
| (c) husband | _____ | (m) waiter | _____ |
| (d) bridegroom | _____ | (n) _____ | princess |
| (e) _____ | heroine | (o) nephew | _____ |
| (f) boy scout | _____ | (p) _____ | actress |
| (g) _____ | barmaid | (q) host | _____ |
| (h) _____ | policewoman | (r) landlord | _____ |
| (i) air steward | _____ | (s) _____ | widow |
| (j) _____ | headmistress | (t) _____ | aunt |

People

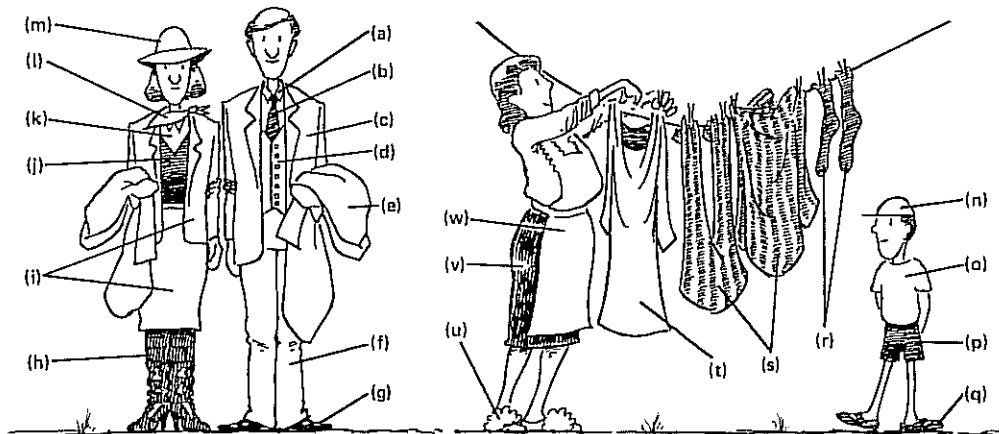
The words below on the left are used in colloquial conversation to describe people of different characteristics or interests. Match each item on the left with the most suitable phrase on the right.

- | | |
|-----------------------|---|
| (a) a chatterbox | is inquisitive and pokes his or her nose into other people's business |
| (b) a highbrow | can't stop talking |
| (c) a nosey parker | loves reading books |
| (d) a bookworm | is confused and forgetful |
| (e) a film fan | is intellectual and likes serious literature, art, music |
| (f) a slowcoach | loves to work |
| (g) a lazybones | is very keen on the cinema |
| (h) a scatterbrain | is not very active or energetic |
| (i) a workaholic | is slow |
| (j) a fresh air fiend | causes difficulties between people |
| (k) a high flier | seems to enjoy preventing others from enjoying themselves |
| (l) a troublemaker | likes to open the windows or be outside |
| (m) a killjoy | is clever and ambitious and will get promotion and success |

Clothes

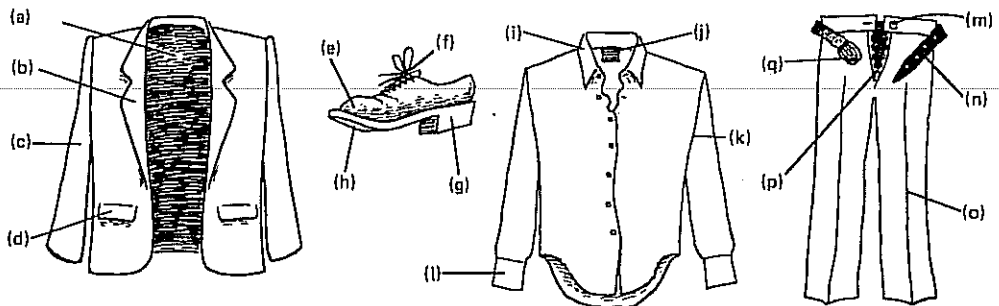
1 Match each of the following items of clothing with the correct letter in the pictures below.

jacket socks boots suit apron cap overcoat shorts shirt
tee-shirt pullover trousers shoes waistcoat sandals tie
dress skirt slippers scarf blouse pyjamas hat



2 Match each of the following parts of clothing with the correct letter in the pictures below.

label heel collar lapel sole seam pocket toe sleeve
belt laces crease lining cuff button zip buckle



Wear/Dress

3 Put the correct form of *wear* or *dress* in the spaces below.

- Students normally _____ very informally.
- She often _____ in black.
- They usually _____ jeans and sweaters.
- They were _____ in jeans and sweaters.
- What were they _____?
- How were they _____?
- He can wash, shave and _____ in ten minutes.
- She was _____ an evening _____.
- The men were in evening _____.
- It's informal. There's no need to _____ up.

4 Put one of the following prepositions in each space in the sentences below.

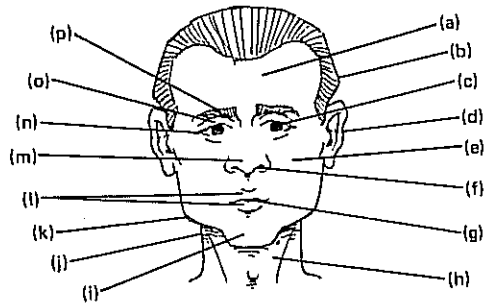
on in off up

- (a) Your jacket's undone. Button it _____.
- (b) It was very warm. We took _____ our coats.
- (c) Put _____ your pullover. It's cold.
- (d) That's the man, _____ the dark suit.
- (e) Hang your coat _____.
- (f) Hang your coat _____ the hook.
- (g) He took _____ his shoes and put _____ some slippers.
- (h) Anna's the girl _____ the red dress.
- (i) She's only three. She can't do her coat _____ by herself.
- (j) He rolled _____ his sleeves and started work.

Parts of the Body

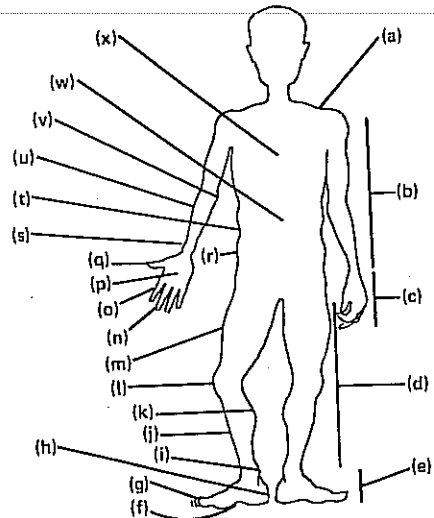
1 Match each of the following parts of the head with the correct letter in the picture below.

hair	throat
mouth	forehead
eyebrow	nose
eye	neck
chin	eyelashes
eyelid	nostril
lips	cheek
jaw	ear



2 Match each of the following parts of the body with the correct letter in the picture below.

shoulder	forearm
elbow	wrist
chest	hand
hip	waist
thigh	nail
shin	calf
leg	foot
sole	toe
palm	knee
thumb	ankle
finger	heel
arm	stomach



Punctuation Marks and Printing

Match each of the following items with the correct letter near the text below.

apostrophe inverted commas heading dash comma capital letter
 subheading bracket full stop small letter underlining stroke
 colon question mark footnote paragraph semicolon italics
 exclamation mark abbreviation asterisk hyphen

(a) (b) (c) (d) (e)

(v) [Regulation 4/8 - 2A]

You are entitled to import the following

(u) items: video-films, film, cameras; books,

(t) furniture, stationery; office equipment,

(s) typewriters, calculators (*not* computers).

(r) (g) (h) (i)

(q) [(i) Importation of Animals]

For the importation of animals* send for leaflets

(p) "Can I Import a Pet?" and "Don't Import

(o) Disease!" (j) (k)

(n) * Agricultural animals and pets e.g. dogs, cats. (l)

(m)

British Measurements

Put each of the following words in its correct place in the sentences below.

ounce gallon inch foot yard stone pound acre
 mile pint

- (a) 1 _____ = 2.54 centimetres (f) 1 _____ = 28.35 grams
 (b) 1 _____ = 0.3048 metre (g) 1 _____ = 0.454 kilogram
 (c) 1 _____ = 0.9144 metre (h) 1 _____ = 6.35 kilograms
 (d) 1 _____ = 1,609.35 metres (i) 1 _____ = 0.568 litre
 (e) 1 _____ = 0.405 hectare (j) 1 _____ = 4.55 litres

Quantities

In the columns (a)-(h) and (l)-(p) below are units in which we buy things and in the opposite columns are the things we buy in those quantities. Match each lettered item with the most suitable item on its right.

- | | | | |
|--------------|-------------|--------------|---------------|
| (a) a bar | of matches | (i) an acre | of flowers |
| (b) a pair | of soap | (j) a bottle | of toothpaste |
| (c) a box | of potatoes | (k) a gallon | of land |
| (d) a pound | of cloth | (l) a bunch | of wine |
| (e) a roll | of shoes | (m) a tin | of sardines |
| (f) an ounce | of milk | (n) a tube | of petrol |
| (g) a yard | of tobacco | (o) a packet | of jam |
| (h) a pint | of film | (p) a jar | of cigarettes |

Shapes

Put each of the following words in its correct place in the sentences below.

circle lower vertical size square upper horizontal shape
 rectangle angle diagonal centre triangle right angle
 parallel corner

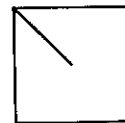
These two diagrams are of the same
 (a) _____ but of a different (b) _____.



This is a (c) _____ with the (d) _____
 lines twice as long as the (e) _____ ones.



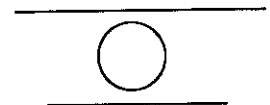
This is a (f) _____ with a (g) _____ line
 going from the (h) _____ to the top left-
 hand (i) _____.



This is a (j) _____. Each bottom
 (k) _____ is 45° . The top one is a
 (l) _____ (90°).



These two lines are (m) _____ to each
 other. The (n) _____ line is longer than
 the (o) _____ one. There is a (p) _____
 between them.



WORD BUILDING

Prefixes

In the following exercises syllables or words are to be added to the front of other words to change or add to their meaning. Where necessary, hyphens have been placed in the sentences.

- 1 **co-**(= with, together) **re-**(= again) **ex-**(= former, before)
inter-(= between)
Put one of the above prefixes in each of the spaces in the sentences below.

- (a) The _____-pilot took over the plane's controls while the captain had a coffee and sandwich.
- (b) The US and the USSR can attack each other with _____-continental missiles.
- (c) Germany and France are _____-operating on the design of a new space-rocket.
- (d) She's divorced but she's still on good terms with her _____-husband.
- (e) Does _____national sport really improve relations between countries?
- (f) The teacher told his student to _____write his bad composition.
- (g) The local trains are slow but the _____-city services are excellent.
- (h) Most houses need to be _____painted every five to seven years.
- (i) Men who once served in the armed services are called _____-servicemen.
- (j) Both boys and girls go to that school. It's _____-educational.

- 2 **bi-**(= two) **pre-**(= before) **semi-**(= half) **counter-**(= in the opposite direction)
Instructions as above.

- (a) We managed to drive the enemy back, but they _____attacked.
- (b) The back wheel of a _____cycle bears more weight than the front wheel.
- (c) Dinosaurs lived millions of years ago in _____historic times.
- (d) The pupils' desks were arranged in a _____circle round the teacher.
- (e) His father is Greek and his mother is Italian so he's _____lingual.
- (f) It was a _____lateral agreement, signed by India and Pakistan.
- (g) Bibby is three. She goes to a _____-school playgroup every morning.
- (h) The _____espionage department has caught three foreign spies.
- (i) Houses in Britain are often built in pairs. They're called _____-detached.
- (j) He was only _____-conscious when the ambulance arrived and he died in hospital.

3 post-(= after) mono-(= one) anti-(= against) non-(= not)
Instructions as above.

- (a) He got his university degree last year. Now he's doing _____graduate studies.
- (b) Some flights go from London to the Middle East _____-stop.
- (c) The words 'fat', 'help' and 'come' are all _____syllables.
- (d) That's _____sense! You don't know what you're talking about!
- (e) The principal _____-war problem was to rebuild the destroyed cities and industries.
- (f) Maybe future trains will run on just a single rail. This system is called a _____rail.
- (g) To prevent petrol from freezing, put _____freeze in the tank.
- (h) I'm not _____-marriage. I think it's a very good custom.
- (i) I'm afraid the club is not open to _____-members.

4 multi-(= many) trans-(= across) super-(= above, more than) de-(= acting against)
Instructions as above.

- (a) The countryside is becoming _____forested so quickly that soon there'll be no trees left at all.
- (b) He works in London and in New York so he's a regular _____atlantic air passenger.
- (c) The train became _____railed at 60 miles per hour but no one was seriously hurt.
- (d) He was so powerful that he sometimes seemed almost _____human.
- (e) It is now possible to _____plant a heart from a dead person to a living one.
- (f) Britain has people from all over the world. It's a _____racial society.
- (g) The villages are becoming _____populated as more and more people move to the cities.
- (h) He believes in ghosts and magic and other _____natural things.
- (i) Concorde is a _____sonic plane. It flies faster than sound.
- (j) He's incredibly rich. He's certainly a _____-millionaire.

5 pro-(= for, in favour of) sub-(= under) uni-(= one) tri-(= three)
Instructions as above.

- (a) That road is very dangerous. Use the _____way to get across.
- (b) That newspaper is very left-wing. In fact it's _____-communist.
- (c) The _____marine approached the warship unseen.
- (d) They have discovered some _____terranean caves 200 feet down.
- (e) Soldiers, policemen and firemen wear _____form. Teachers don't.
- (f) Small children ride _____cycles, not bicycles.
- (g) He likes British people and culture. He's very _____-British.
- (h) A shape with three angles is called a _____angle.
- (i) The _____-war party wanted more arms and a bigger army.
- (j) Both men and women have their hair cut there. It's a _____sex salon.

6 over-(= too much) under-(= not enough)

Put one of the above prefixes in each of the spaces in the sentences below.

- (a) He needs a good holiday. He's suffering from _____work.
- (b) She didn't hear the alarm clock and _____slept.
- (c) It needs to be cooked a little more. It's _____done.
- (d) You've _____charged me. The price is £8 not £10.
- (e) They say they're _____paid and want more money.
- (f) There aren't enough people in the country. It's _____populated.
- (g) There were too many people in the room. It was _____crowded.
- (h) Rich nations should give more aid to _____developed countries.
- (i) He's fat and lazy. It's because he _____eats.
- (j) We _____estimated the cost of the holiday and ran out of money.

7 un- dis-

Put one of the above prefixes in each space in the phrases below to make the word which follows it opposite in meaning.

- | | |
|----------------------------------|-------------------------------------|
| (a) a(n) _____ comfortable chair | (m) to _____obey an order |
| (b) a(n) _____believable story | (n) to _____believe a story |
| (c) a(n) _____punctual train | (o) to _____agree with someone |
| (d) a(n) _____respectful pupil | (p) to _____load a ship |
| (e) a(n) _____popular man | (q) to _____approve of someone |
| (f) a(n) _____honest shopkeeper | (r) to _____like cheese |
| (g) a(n) _____lucky accident | (s) to _____button a jacket |
| (h) a(n) _____familiar city | (t) to _____appear round the corner |
| (i) a(n) _____satisfied customer | (u) to _____cover buried treasure |
| (j) a(n) _____grateful child | (v) to _____trust a politician |
| (k) a(n) _____united party | |
| (l) to _____lock a door | |

8 ir- il- im- in-

Put one of the above prefixes in each space in the phrases below to make the word which follows it opposite in meaning.

- | | |
|------------------------------------|-------------------------------------|
| (a) an _____resistible temptation | (l) an _____relevant question |
| (b) an _____possible plan | (m) an _____polite letter |
| (c) an _____legal business deal | (n) an _____literate person |
| (d) an _____accurate calculation | (o) _____frequent buses |
| (e) an _____mature young man | (p) _____legible handwriting |
| (f) an _____moral action | (q) an _____curable illness |
| (g) an _____convenient arrangement | (r) an _____regular train service |
| (h) an _____logical answer | (s) an _____dependent country |
| (i) an _____responsible boy | (t) _____formal clothes |
| (j) an _____patient motorist | (u) an _____replaceable work of art |
| (k) an _____secure feeling | (v) an _____expensive present |

Suffixes

1 -ish

(i) *-ish* sometimes means 'with the qualities of' e.g. *boyish*.
Put each of the following words in its correct place in the sentences below.

childish girlish amateurish piggish monkish

- (a) He lives in one small room and he hasn't many needs. He leads an almost _____ life.
- (b) He is usually a very fine actor, but last night he was terrible, really _____.
- (c) He's nearly eighteen but he still has very _____ attitudes and interests.
- (d) He behaved very badly at lunch. He really has _____ manners.
- (e) She still wears rather young, _____ fashions.

(ii) *-ish* often means 'rather', 'about', 'more or less' e.g. *yellowish* (more or less yellow), *eightish* (about eight), *slowish* (rather slow). This use of *-ish* is colloquial, so is not often used in written English.

Put each of the following words in its correct place in the passage below, in which a man who has witnessed a crime describes to a police officer what he saw.

smallish sevenish twentyish fairish greenish darkish tallish

Well, it happened very quickly, officer. I was just leaving my office. It was fairly late, perhaps (a) _____ and I couldn't see very well because it was already getting (b) _____. A man came out of the bank. He had (c) _____ hair. His age, well, he was (d) _____ or may be twenty-five. I couldn't guess his height, but he was (e) _____. He had a suitcase and he got into a car, not a very big one, (f) _____ in fact. The colour? I think it was (g) _____. Sorry I can't be more exact.

2 -ful -less

-ful means 'having', 'with' e.g. *careful*, *colourful*.

-less means 'without' 'lacking' e.g. *careless*, *windowless*.

Put each of the following words in its correct place in the sentences below.

thoughtful harmful successful friendless thoughtless harmless
beautiful waterless

- (a) The Sahara Desert is a vast _____ area which runs from east to west across Africa.
- (b) Smoking is _____ to your health.
- (c) This present is just what I want and need. How _____ of you.
- (d) I hope you are _____ in your exams.
- (e) Don't be afraid of the dog. He's _____.
- (f) It was very _____ of you to play the radio so loud so late at night.
- (g) She's very _____. Three artists have painted her.
- (h) I was alone and _____ in a strange city.

3 -er -ee

-er usually has an active meaning e.g. *examiner* (a person who sets an examination)

-ee usually has a passive meaning e.g. *examinee* (a person who takes an examination)

Put each of the following words in its correct place in the sentences below.

interviewer trainer employer
interviewee trainee employee

- (a) I was given a pay rise of £1,000 by my _____.
- (b) A football team normally has a _____ to keep the players fit.
- (c) A television _____ should always give the _____ a proper chance to express his or her opinions.
- (d) That company has 200 people working in its factory. My brother works there and I, too, am an _____.
- (e) At the moment he's a management _____. If he's successful, he'll be given his first responsible position in January.

4 -proof

-proof means 'safe against', 'able to resist' e.g. a *fireproof door*.

Put each of the following words in its correct place in the sentences below.

waterproof soundproof bulletproof heatproof shockproof
childproof foolproof

- (a) The windows of the President's car were made of _____ glass in case of an assassination attempt.
- (b) Our tent wasn't completely _____ and the rain came through.
- (c) The soldiers were given _____ watches.
- (d) These dishes are _____. You can put them in the oven.
- (e) The bank's security system is completely _____. It can't possibly go wrong.
- (f) The car locks should be _____, otherwise my young sons will open them during a journey and fall out.
- (g) The recording studio was completely _____.

5 -ful

-ful is often used to indicate quantity e.g. a *pocketful* (the contents of a pocket) *of coins*.

Put each of the following words in its correct place in the sentences below.

houseful cupful tankful handful mouthful teaspoonful

- (a) Put a large _____ of rice in boiling water, then add a little salt, just a _____.
- (b) At Christmas we had a _____ of visitors.
- (c) The foreign tourist put a _____ of money in front of the taxi driver and said, 'Is this enough?'
- (d) After just one _____ I knew she was a wonderful cook.
- (e) A _____ of petrol should take this car over 200 miles.

6 -er -or -ar

From the verbs below make nouns describing people by adding *-er*, *-or* or *-ar* to the end and making any other necessary spelling changes.

e.g. liberate *liberator* drum *drummer*

- | | | | |
|---------------|-----------------|-------------|-------------|
| (a) teach | (f) collect | (k) inspect | (p) donate |
| (b) direct | (g) sail | (l) act | (q) visit |
| (c) beg | (h) murder | (m) buy | (r) produce |
| (d) interpret | (i) operate | (n) edit | (s) travel |
| (e) translate | (j) demonstrate | (o) work | (t) compete |

7 Instructions as above.

- | | | | |
|--------------|-----------------|----------------|----------------|
| (a) sing | (f) rob | (k) ski | (p) swim |
| (b) govern | (g) survive | (l) instruct | (q) contribute |
| (c) announce | (h) supply | (m) elect | (r) create |
| (d) admire | (i) control | (n) write | (s) manage |
| (e) decorate | (j) investigate | (o) photograph | (t) lie |

8 -ist -ian

From the nouns below make other nouns describing people by adding *-ist* or *-ian* to the end and making any other necessary spelling changes.

e.g. Brazil *Brazilian* violin *violinist*

- | | | | |
|-----------------|--------------|----------------|-----------------|
| (a) motor | (g) Buddha | (m) science | (s) comedy |
| (b) electricity | (h) economy | (n) music | (t) beauty |
| (c) Paris | (i) art | (o) psychiatry | (u) journal |
| (d) Christ | (j) bicycle | (p) terror | (v) parachute |
| (e) piano | (k) tobacco | (q) magic | (w) language |
| (f) history | (l) politics | (r) flower | (x) archaeology |

Nouns made from verbs

1 -sis -ure

Make nouns ending in *-sis* or *-ure* from the following verbs, making any necessary changes in spelling. Then put each noun in its correct place in the sentences below.

emphasize hypnotize sign analyse paralyse seize diagnose
fail close enclose

- The doctor's _____ was that I had bronchitis.
- Don't put an _____ inside an aerogramme. It is not permitted.
- The _____ of the blood will help the police find the murderer.
- The doctor used _____ to make her calm and relaxed.
- He was very ambitious, and his _____ to become prime minister was a shock to him.
- The _____ at the bottom of the letter was impossible to read.
- Some teachers put a lot of _____ on learning by heart.
- There has been a military government since the army's _____ of power six years ago.

- (i) This disease can lead to the _____ of certain muscles.
- (j) The _____ of the factory and loss of jobs came as a result of fewer orders from abroad.

2 -y

Make nouns from the following verbs by adding -y to the end and making any other necessary changes in spelling. Then put each noun in its correct place in the sentences below.

prosper enquire injure discover apologize forge expire
 deliver recover conspire assemble

- (a) In England there is no postal _____ on Sundays.
- (b) He still suffers from an _____ he received in a game of football ten years ago.
- (c) He could copy other people's signatures perfectly. He was finally sent to prison for _____.
- (d) The _____ of a ship from the bottom of the sea is a very difficult, expensive operation.
- (e) The _____ of America was made in 1492 by Christopher Columbus.
- (f) I wish you happiness, good health and _____ for this coming year.
- (g) This is the parliamentary building, where the National _____ meets.
- (h) She accepted his _____ for his rude behaviour at dinner.
- (i) The President believed there was a _____ to overthrow him.
- (j) On _____, your passport may be renewed for a further five years.
- (k) Thank you for your _____ about our products. We enclose our current catalogue.

3 -ence

Make nouns ending in -ence from the following verbs, making any necessary changes in spelling. Then put each noun in its correct place in the sentences below.

prefer obey defend offend insist coincide refer depend
 correspond reside differ interfere exist pretend

- (a) He couldn't go to university but continued his education through _____ courses.
- (b) This monument is in memory of the men and women who died in _____ of this country.
- (c) Police dogs are trained to a high standard of _____.
- (d) Tea or coffee? Do you have any _____?
- (e) She wasn't really angry at all. It was just _____.
- (f) Dictionaries, encyclopaedias and atlases are called _____ books.
- (g) The doctors tried to cure him of his _____ on drugs.
- (h) The United Nations came into _____ in 1945.
- (i) Despite his _____ that he was innocent, he was arrested.
- (j) I can't tell the _____ between butter and margarine.
- (k) I hope she didn't take _____. I was only joking.
- (l) I met John on holiday quite by chance. What a _____.
- (m) She complained of _____ by her mother-in-law in her private affairs.
- (n) 'Place of _____' means the place where you live.

4 -ance

Make nouns from the following verbs by adding *-ance* to the end and making any other necessary changes in spelling. Then put each noun in its correct place in the sentences below.

annoy resist avoid insure resemble enter attend perform
accept disturb assist endure

- (a) It was the actor's finest _____.
- (b) The teacher kept a record of every student's _____.
- (c) This signature bears no _____ to mine! It's a forgery!
- (d) When I received the offer of a job, I immediately wrote a letter of _____.
- (e) The police were called to a _____ at a private party last night.
- (f) My house _____ covers me for fire, flood, theft and damage.
- (g) When she was very old she couldn't look after herself without _____.
- (h) When people kept talking during the film, he showed his _____ by turning round and looking at them.
- (i) The _____ to the park is through that gate there.
- (j) After fierce _____ for two days, the soldiers surrendered to the enemy.
- (k) By continuing his journey alone, on foot, in freezing weather without food for two days he showed remarkable powers of _____.
- (l) The Automobile Association recommends _____ of the city centre during the present road repairs.

5 -al

Make nouns from the following verbs by adding *-al* to the end and making any other necessary changes in spelling. Then put each noun in its correct place in the sentences below.

deny propose approve bury refuse try renew remove
arrive survive dismiss rehearse

- (a) His unpunctuality and bad work soon led to his _____ from the firm.
- (b) After the funeral service in the church, we went out to the cemetery for the _____.
- (c) Thousands of people were at the airport for the President's _____.
- (d) _____ of your season ticket for another six months will cost you £68.
- (e) To get married before you are eighteen, you will need your parents' _____ and consent.
- (f) The first performance of the play is tomorrow. The actors are having a final _____ tonight.
- (g) At the end of the five-day _____, he was found guilty and sent to prison.
- (h) The factory manager wants to use different machines but the workers don't like this _____.
- (i) The police were amazed at the _____ of the five children after a night out in freezing temperatures.
- (j) He made a complete _____ of the accusation against him but no one believed him.

- (k) I don't understand his _____ to help us. He's usually very helpful.
 (l) The new republican government demanded the _____ of the king's statue from the main square.

6 -age

Make nouns from the following verbs by adding *-age* to the end and making any other necessary changes in spelling. Then put each noun in its correct place in the sentences below.

use shrink pass store post stop break wreck marry leak

- (a) A family house always needs _____ space for old furniture and luggage.
 (b) With the _____ of time, her heartache grew less painful.
 (c) The _____ between Alan and Josephine will take place in St Andrew's Church on April 21st.
 (d) The firm is proud of its non-strike record. There hasn't been a _____ of work for twelve years.
 (e) Airmail _____ to Australia for a large parcel is very expensive.
 (f) The _____ of the smashed car was left by the road as a warning to motorists.
 (g) The Prime Minister is very angry about the _____ of information to the press from closed secret meetings.
 (h) The American _____ of this word is different from the British.
 (i) In a shop selling glass and china a certain amount of _____ is unavoidable.
 (j) This shirt was guaranteed against _____, but look, it's too small for me now and I've only washed it once.

7 Put in each space below a noun formed from the verb in brackets after the sentence.

- (a) John's an expert, so I asked him for some _____. (advise)
 (b) You need more _____ before you can play the violin in public. (practise)
 (c) The policeman wanted to see the motorist's driving _____. (license)
 (d) He made a _____ that she would marry and have three children. (prophesy)
 (e) We can only get there by plane. There's no _____. (choose)
 (f) 'Now children, I hope you'll all be on your best _____ when we go to the museum.' (behave)
 (g) I have to make a _____ about poor service and the rudeness of your staff. (complain)
 (h) I think you've made an _____ in the bill. Could you check it? (err)
 (i) Naturally he's very unhappy at the _____ of so much money. (lose)
 (j) I like a museum with a _____ of objects — pictures, sculpture, furniture and other things. (mix)
 (k) The company has shown rapid _____ in the last two years. (grow)

8 Instructions as above.

- (a) Newspapers in that country can say what they like. There's no _____. (censor)
- (b) It took him a long time to recover from the _____ of his mother. (die)
- (c) The _____ of poverty, disease and ignorance must be our principal aim. (conquer)
- (d) It is my _____ that there is life on Mars and Venus. (believe)
- (e) The police think that she committed the murder but they have no _____. (prove)
- (f) It was a great _____ to hear that your illness isn't serious. (relieve)
- (g) Most of the passengers were killed in the air crash. The _____ were badly injured. (remain)
- (h) Two miles from here, it's still possible to see the _____ of a 2,000-year-old Roman town. (remain)
- (i) Some people tie a knot in their handkerchiefs as a _____ of something important they must do. (remind)
- (j) The priest asked us to say a _____ for world peace. (pray)
- (k) He put the two televisions together so that we could make a _____. (compare)

9 Instructions as above.

- (a) The police car crashed into a traffic-light while it was in _____ of a stolen car. (pursue)
- (b) He feels a deep _____ for the people who killed his brother. (hate)
- (c) Of course the _____ of a mountain takes longer than the _____. (ascend . . . descend)
- (d) Not far from here you can see the _____ of an old church. Only the walls are left. (ruin)
- (e) If you want to know what's in a book, look at the _____ page at the front. (contain)
- (f) He has a very wide _____ of African affairs. (know)
- (g) You'll have to make a _____ soon. (decide)
- (h) She's very nice but she has a _____ to talk too much. (tend)
- (i) I'm not sure, but I have a _____ that he was the boy who stole my bike. (suspect)
- (j) The actors received enthusiastic _____ at the end of the show. (applaud)
- (k) The staff at this hotel are excellent. They give very good _____. (serve)
- (l) The _____ of the new baby was about four kilograms. (weigh)
- (m) We believe the existence of large armies and terrible weapons is a _____ to world peace. (threaten)
- (n) His first _____ missed but he killed the bird with his second. (shoot)
- (o) £50,000 was taken in the bank _____ yesterday. (rob)
- (p) I've written three letters to the firm about their bad product, but they've made no _____. (respond)

10 -sion

Make nouns, all ending in *-sion*, from the following verbs. Put each noun in its correct place in the sentences below.

divide conclude expand exclude explode include persuade
revise admit

- (a) I hope friendly _____ will make him change his mind. I don't want to use force.
- (b) If they get divorced, they'll have to decide on the _____ of their money and property.
- (c) He dreamt of the _____ of his firm from a small factory to a large international business.
- (d) _____ to the club is limited to members only.
- (e) There was a very loud _____ when the bomb went off.
- (f) In the final weeks before the exam, the students did a lot of _____.
- (g) He was delighted by his _____ in the national football team.
- (h) The _____ of her name from the list of people chosen to meet the President was a great disappointment.
- (i) . . . and finally, in _____, I thank you all for coming.

11 Instructions as above.

possess confuse permit discuss invade collide confess
extend impress

- (a) The _____ of the island was resisted as soon as the soldiers landed on the beaches.
- (b) His car was slightly damaged in the _____.
- (c) Pupils must not enter the teachers' room without _____.
- (d) His dirty appearance made a bad _____ on the judge.
- (e) He was arrested for _____ of illegal drugs.
- (f) The police questioned him for three days until he finally made a _____.
- (g) Three boys in the school had the same name, which caused some _____.
- (h) During the office meeting there was a _____ about the need for a new photocopier.
- (i) He asked for an _____ of his visa for another six months.

12 -ment

Make nouns from the following verbs by adding *-ment* to the end. Put each noun in its correct place in the sentences below.

entertain improve postpone arrange enlarge encourage
advertise

- (a) The _____ for Monday is that we'll meet at 7 and take the train at 7.45.
- (b) I like this photo. I think I'll have an _____ made.
- (c) This is the city's _____ district, full of cinemas and theatres.
- (d) We regret to announce the _____ of this evening's concert. The conductor is ill. The concert will take place next week.
- (e) The teachers were pleased at the _____ in his work.
- (f) His parents gave him a lot of _____ in his studies.
- (g) There was a newspaper _____ for a job as a typist.

13 Instructions as above.

imprison manage disappoint develop punish agree announce
treat govern employ

- (a) The _____ has announced new, higher taxes.
- (b) 'Capital _____' means the death penalty.
- (c) The company _____ had talks with the workers' representatives but they couldn't reach _____.
- (d) A lot of country people without jobs came to the city to look for _____.
- (e) He received _____ at the hospital for his injuries.
- (f) It was a big _____ to hear that you can't come to our wedding.
- (g) She was sentenced to three years' _____.
- (h) Television programmes were interrupted by a special _____ about the plane crash.
- (i) I hope that we will soon see the _____ of better relations between our two countries.

14 -tion

Make nouns ending in *-tion* from the following verbs, making any necessary spelling changes. Then put each noun in its correct place in the sentences below.

revolt repeat compete reduce acquire pronounce produce
qualify solve introduce

- (a) There's a lot of _____ among car manufacturers to sell most cars.
- (b) There are some differences in _____ between British and American English.
- (c) Is a degree a necessary _____ for this job?
- (d) _____ of the new sports car has been affected by a fire at the factory.
- (e) They are trying to find a _____ to the problem.
- (f) A book sometimes sells better if it has an _____ written by a famous person.
- (g) The art gallery is very proud of its recent _____ of an important painting.
- (h) There was a _____. The people rose up and overthrew the government.
- (i) That must not happen again. There must be no _____ of the incident.
- (j) That shop is offering a big _____ in the price of its clothes.

15 Instructions as above.

satisfy oppose explain publish abolish receive describe
destroy deceive detain

- (a) The earthquake caused the complete _____ of the village.
- (b) The party, or parties, against the government is called the _____.
- (c) He's finished writing his new book. _____ will be next year.
- (d) The new film has had a very poor _____ by the critics.
- (e) She did not get the money honestly and legally. She got it by _____.
- (f) Many people would like to see the _____ of all nuclear weapons.
- (g) He had to give his boss an _____ for his absence.
- (h) Seven illegal immigrants are being held in _____ at the port.

- (i) His work is well-paid but doesn't give him much _____.
- (j) If you send us a _____ of the missing property, we'll try to find it.

16 -ion

Make nouns from the following verbs by adding *-ion* to the end. Put each noun in its correct place in the sentences below.

prevent interrupt elect protect suggest predict select react
invent addict

- (a) If I can work all day without any _____, I can finish the job by this evening.
- (b) I can't make any _____ about the _____ result. I don't know how the voting will go.
- (c) What was his _____ to the news? Was he pleased or angry?
- (d) RSPCA stands for the Royal Society for the _____ of Cruelty to Animals.
- (e) His _____ of a new type of car engine brought him a lot of money.
- (f) His _____ to drugs nearly killed him.
- (g) RSPB stands for the Royal Society for the _____ of Birds.
- (h) What shall we do tomorrow? Swimming? Film? Museum? Has anyone got a better _____?
- (i) He was delighted by his _____ for the school football team.

17 -ation

In each space below put a noun ending in *-ation* made from the verb in brackets below the phrase.

- | | |
|-------------------------------------|---|
| (a) a police _____
(investigate) | (j) a serious _____
(accuse) |
| (b) a wild _____
(exaggerate) | (k) the _____ of a meeting
(cancel) |
| (c) a heart _____
(operate) | (l) I'm full of _____
(admire) |
| (d) _____ leather
(imitate) | (m) the _____ of words
(abbreviate) |
| (e) good _____
(pronounce) | (n) exam _____
(prepare) |
| (f) the manager's _____
(resign) | (o) a political _____
(demonstrate) |
| (g) _____ agencies
(accommodate) | (p) state or private _____
(educate) |
| (h) _____ links
(communicate) | (q) _____ from poor countries
(emigrate) |
| (i) a vivid _____
(imagine) | (r) _____ to rich countries
(immigrate) |

18 Instructions as above.

- | | |
|--|--|
| (a) a _____ to charity
(donate) | (k) a timetable _____
(alter) |
| (b) a moment's _____
(hesitate) | (l) tourist _____
(inform) |
| (c) a car with good _____
(accelerate) | (m) an evening's _____
(relax) |
| (d) a hotel _____
(reserve) | (n) _____ of old paintings
(restore) |
| (e) a burning _____
(sense) | (o) I resisted the _____
(tempt) |
| (f) a _____ of song and dance
(combine) | (p) the _____ of a story
(continue) |
| (g) a police _____
(interrogate) | (q) a journey of _____
(explore) |
| (h) a party _____
(invite) | (r) the _____ of a book
(translate) |
| (i) _____ of her health
(deteriorate) | (s) the _____ of a speech
(interpret) |
| (j) a school _____
(examine) | (t) careful _____
(punctuate) |

Nouns made from adjectives

1 Put in each space below a noun made from the adjective in brackets after the sentence.

- (a) South Africa has great mineral _____. (wealthy)
- (b) _____ is one of the world's great problems. (poor)
- (c) Tell the _____. (true)
- (d) I must drink something. I'm dying of _____. (thirsty)
- (e) I must eat something. I'm dying of _____. (hungry)
- (f) He was very bright. He passed the exam with _____. (easy)
- (g) In his _____ he travelled a lot. Now he is too old. (young)
- (h) I don't know how to express my _____ for your help. (grateful)
- (i) It's very late. There's not much _____ of his coming now. (likely)
- (j) To be a soldier you need to be strong and in good _____. (healthy)
- (k) There was no doubt about his _____. He was sent to prison for five years. (guilty)
- (l) He escaped to _____ by climbing over the prison wall. (free)

2 Instructions as above.

- (a) The _____ of the president was announced on the radio. (dead)
- (b) In past wars soldiers were sometimes shot for _____. (cowardly)
- (c) He died to save the lives of others. It was an act of _____. (heroic)

- (d) He was a very thoughtful, philosophical person. A man of great _____. (wise)
- (e) She felt great _____ at being treated so badly. (angry)
- (f) He left his town to find _____ in the big city. (famous)
- (g) The tourists were impressed by the _____ of the jewellery in the museum. (splendid)
- (h) It was a long, slow film. I nearly died of _____. (boring)
- (i) He was filled with _____ at the terrible things he saw in the war. (horrible)
- (j) The ice quickly melted in the _____ of the sun. (hot)
- (k) His _____ was hurt when a younger man was given the job above him. (proud)
- (l) I think it shows _____ of character to admit you are wrong. (strong)

3 Instructions as above.

- (a) To be successful you need ability and you need _____. (lucky)
- (b) He was delighted by the _____ of the welcome he received. (warm)
- (c) The idea of going through the forest alone at night filled her with _____. (terrible)
- (d) The _____ of the bridge is about two kilometres. (long)
- (e) The _____ of the road is not great enough to take large trucks. (wide)
- (f) What's the _____ of that mountain? (high)
- (g) The _____ of the water here is over three metres. (deep)

4 -ence -ance

Make nouns ending in *-ence* or *-ance* from the following adjectives and put them in their correct places in the sentences below.

confident independent patient innocent reluctant violent
 present silent elegant important convenient absent
 intelligent arrogant

- (a) The police were there to prevent any possible _____.
- (b) There was complete _____ except for the sound of the birds.
- (c) He was very unsure of himself. He didn't have much _____.
- (d) She dressed with great _____ in clothes of the latest French fashions.
- (e) Although he maintained his _____ to the end, he was sent to prison.
- (f) It doesn't matter. It's of no _____.
- (g) What a silly thing to do. I thought he had more _____.
- (h) He thinks he's the only person who's right! What _____!
- (i) Zimbabwe gained its _____ in 1975.
- (j) He didn't like school, and went every day with great _____.
- (k) Please have a little _____. We must wait another hour.
- (l) Please send the goods at your earliest _____.
- (m) The boss didn't believe that her _____ was due to illness.
- (n) People normally stand in the _____ of the Queen.

5 -cy

Make nouns ending in *-cy* from the following adjectives and put them in their correct places in the sentences below.

obstinate private urgent efficient accurate vacant frequent
fluent

- (a) Swiss watches are famous for their _____.
- (b) A _____ for an office manager was advertised in the newspaper.
- (c) This is a matter of great _____. It must be discussed as soon as possible.
- (d) Donkeys are known for their _____. They won't do what they're told.
- (e) After five years in London, of course he speaks English with great _____.
- (f) He always did his job well. Everyone appreciated his _____.
- (g) The _____ of this bus service is about one every ten minutes.
- (h) I don't like to be visited or phoned too much at home. I like my _____.

6 -ity -ness

Make nouns from the following adjectives by adding *-ity* or *-ness* to the end, and put them in their correct places in the sentences below.

punctual bald dark deaf foolish popular similar kind
valid sad equal quiet

- (a) He's worried about his increasing _____. He might get a wig.
- (b) What _____ to leave a baby out in the hot sun.
- (c) The teacher insisted on _____.
- (d) Men and women should have _____ of pay and opportunity.
- (e) I have some _____ in my left ear.
- (f) The international _____ of the Beatles was amazing.
- (g) I like the _____ of this street. It's very peaceful.
- (h) There is some _____ between German and Dutch.
- (i) She could see nothing in the _____.
- (j) You can get season tickets with a _____ of 3, 6 or 12 months.
- (k) Her death brought _____ to all her family.
- (l) Thank you for your _____ to my mother when she was ill.

7 Instructions as above.

stupid formal weak neutral neat real blunt fond
ill superior Christian serious

- (a) Don't laugh! I don't think you understand the _____ of the situation.
- (b) The principal religion of this area is _____.
- (c) The teacher gave a special mark for _____.
- (d) He proved his _____ by winning easily.
- (e) Switzerland has a record of _____ in past wars.
- (f) He spoke with such _____ that many people were offended.
- (g) _____ kept him away from work for a week.
- (h) I was surprised by the _____ of the occasion. All the men wore dark suits and ties.
- (i) Engineers have found a _____ in the bridge. They'll have to strengthen it.

- (j) The French _____ for wine is well known. They like it a lot.
- (k) He is always daydreaming; he never faces _____.
- (l) What a crazy thing to do. How could anyone behave with such _____?

8 -ty

Make nouns ending in -ty from the following adjectives, making any necessary spelling changes, then put them in their correct places in the sentences below.

curious vain simple anxious brief generous necessary
clear gay various

- (a) He spoke with great _____. Everyone understood.
- (b) There's no _____ to take the exam if you don't want to.
- (c) We were disappointed by the _____ of our stay in Paris. Two days was not enough.
- (d) The children looked at the foreign stranger with _____.
- (e) There is increasing _____ about the missing children.
- (f) He is famous for his _____. He gives large sums to charity.
- (g) In spite of his fame, wealth and success, he lives a life of great _____.
- (h) He's always looking at himself in the mirror. What _____!
- (i) In a big city like London there's always a _____ of things to do in the evening.
- (j) The music, dancing and decoration gave the party an atmosphere of great _____.

9 -y

Make nouns ending in -y from the following adjectives, making any necessary spelling changes, then put them in their correct places in the sentences below.

tragic courteous jealous envious cruel hypocritical certain
beautiful difficult furious royal safe loyal

- (a) '_____' is another word for 'politeness'.
- (b) NSPCC stands for the National Society for the Prevention of _____ to Children.
- (c) The English Lake District is a place of great natural _____.
- (d) '_____' and '_____' mean more or less the same.
- (e) During the bombing, children were taken to a place of _____.
- (f) The newspapers described the deaths in the air crash as a _____.
- (g) At first he had great _____ in understanding the language.
- (h) That entrance is reserved for _____ and other important people.
- (i) People reacted with _____ to the President's speech and thousands of people attacked his palace.
- (j) He says everyone is equal but he treats his employees badly. What _____!
- (k) I think they'll arrive tomorrow but no one is sure. There's not much _____ about it.
- (l) His wife supported him through all his troubles. She showed great _____.

10 -iness

Make nouns ending in *-iness* from the following adjectives, making any necessary spelling changes, then put them in their correct places in the sentences below.

happy tidy ugly holy lazy lonely naughty lovely

- Living alone in the city, he suffered from _____ at first.
- A factory can be attractive. It doesn't have to be a place of _____.
- The birth of their baby daughter brought them a lot of _____.
- He lost his job because of his _____.
- Please respect the _____ of this religious place by not talking loudly or smoking.
- Their mother punished them for their _____ in breaking the window and telling lies.
- The teacher complimented her pupils on their _____. They had all polished their shoes and combed their hair.
- The _____ of the view almost took my breath away.

11 -ion -ment

Make nouns ending in *-ion* or *-ment* from the following adjectives, making any necessary spelling changes, then put them in their correct places in the sentences below.

cautious attractive perfect tense content excited

- After the revolution people were nervous about going into the streets. There was an atmosphere of _____.
- She dances so beautifully she almost reaches _____.
- In his old age he lives a life of peace, comfort and _____.
- This animal is dangerous. It should be handled with the greatest _____.
- The children's _____ increased as Christmas Day drew near.
- Tower Bridge in London is a major tourist _____.

Adjectives made from nouns

1 -y -ly

The addition of *-y* or *-ly* to a noun often makes an adjective, e.g. a *windy night*, *fatherly advice*, a *daily newspaper*.

Put each of the following words in its correct place in the sentences below.

salty grassy scholarly rainy friendly ghostly weekly
yearly

- It's a very academic, _____ book.
- It's been dry for two weeks but I think next weekend will be _____.
- We found a nice _____ place by the river for our picnic.
- Julia will help you. She's a very pleasant, _____ girl.
- The water of the lake was rather _____, like sea-water.
- A _____ figure in white suddenly appeared before us.
- He makes _____ visits to his firm's head office in Paris, usually in April.
- 'Time' is an American _____ news magazine.

2 -ous

In each space below put an adjective ending in *-ous* made from the noun in brackets below the phrase.

- | | |
|--|--|
| (a) a _____ plant
(poison) | (j) an _____ politician
(ambition) |
| (b) a _____ organisation
(religion) | (k) a _____ soldier
(courage) |
| (c) an _____ journey
(adventure) | (l) a _____ earthquake
(disaster) |
| (d) a _____ movement
(nerves) | (m) a _____ film star
(fame) |
| (e) a _____ country
(mountain) | (n) an _____ student
(industry) |
| (f) a _____ story
(humour) | (o) an _____ disease
(infection) |
| (g) a _____ escape
(miracle) | (p) a _____ disappearance
(mystery) |
| (h) a _____ machine
(danger) | (q) a _____ army
(victory) |
| (i) a _____ sunset
(glory) | (r) a _____ person
(suspicion) |

3 -ic

Make adjectives ending in *-ic* from the following nouns, making any necessary spelling changes, then put them in their correct places in the sentences below.

poetry art drama sympathy climate photography democracy
energy science alcohol

- (a) Whisky of course is an _____ drink.
- (b) She paints and draws. She's very _____.
- (c) Sweden and Brazil have different weather. They're in different _____ zones.
- (d) They have free elections. It's a _____ country.
- (e) I feel very fit and _____ today.
- (f) She bought a camera and other _____ equipment.
- (g) She likes physics, chemistry and other _____ subjects.
- (h) He was very patient and _____ when I told him my problem.
- (i) She has a very imaginative, _____ style of writing.
- (j) The big doors suddenly opened and he entered. It was very _____.

4 -ical

Make adjectives ending in *-ical* from the following nouns, making any necessary spelling changes, then put them in their correct places in the sentences below.

psychology grammar crisis music politics medicine alphabet
clerk theatre practice

- (a) He speaks English fluently but with some _____ mistakes.
- (b) The index at the back of a book is in _____ order.
- (c) I never go to concerts. I'm not at all _____.
- (d) He's very _____. He can make and repair almost anything.
- (e) She could make a lot of money in films, but she is more interested in a _____ career.
- (f) He's interested in _____ affairs. He might enter parliament.
- (g) Physically he was unhurt, but he suffered _____ damage.
- (h) He treated her injury although he had no _____ qualifications.
- (i) The doctors say her condition is now _____.
- (j) She wants a _____ job. She has always liked office work.

5 In each space below put an adjective made from the noun in brackets after the phrase.

- | | |
|----------------------------------|--------------------------------|
| (a) a _____ dress (fashion) | (k) a _____ athlete (muscle) |
| (b) a _____ army (triumph) | (l) a _____ painting (value) |
| (c) an _____ letter (affection) | (m) a _____ worker (skill) |
| (d) a _____ table (circle) | (n) a _____ state (socialism) |
| (e) _____ interests (literature) | (o) a _____ attempt (success) |
| (f) a _____ house (suburb) | (p) a _____ friend (trust) |
| (g) a _____ shape (triangle) | (q) a _____ place (peace) |
| (h) a _____ child (trouble) | (r) a _____ day (memory) |
| (i) a _____ chair (comfort) | (s) a _____ person (knowledge) |
| (j) a _____ business (profit) | (t) a _____ country (distance) |

Adjectives made from verbs

1 -able

Make adjectives ending in *-able* from the following verbs, making any necessary spelling changes, then put them in their correct places in the sentences below.

change advise accept suit adjust read enjoy cure
regret agree break depend

- (a) It's _____ to book early, but not essential.
- (b) English weather is very _____. It's often different from day to day.
- (c) It was a _____ mistake. I am very sorry.
- (d) Is 6.30 a _____ time, or is it too early?
- (e) He's a very _____ boy. You can rely on him.
- (f) Pack them carefully. They're _____.
- (g) You'll like it. It's a very _____ book.
- (h) You can raise the microphone or lower it. It's _____.
- (i) Thank you for a very _____ evening. We had a lovely time.
- (j) We regret that late applications are not _____.
- (k) We'll meet at 8 if you are all _____.
- (l) Fortunately the cancer was _____ and he is now well again.

2 -ive

Make adjectives ending in *-ive* from the following verbs, making any necessary spelling changes, then put them in their correct places in the sentences below.

destroy attract produce inform deceive decide appreciate
protect create talk

- (a) He was very _____ of all I had done for him.
- (b) The factory has been more _____ since we bought new automatic machines.
- (c) His appearance is _____. He's older than he looks.
- (d) Nuclear weapons are terribly _____.
- (e) His lecture was very _____. We learnt a lot.
- (f) She's very _____. She paints, makes sculpture and designs textiles.
- (g) She's a very _____ girl. Men always like her.
- (h) She was very _____. She told me all about herself and her family.
- (i) Firemen wear _____ clothing, otherwise they would get burnt.
- (j) He's not afraid to take action. He's very _____.

3 In each space below put an adjective made from the verb in brackets below the phrase.

- | | |
|-------------------------------------|-----------------------------------|
| (a) a _____ body
(die) | (h) an _____ dog
(obey) |
| (b) a _____ book
(bore) | (i) a _____ district
(reside) |
| (c) an _____ car
(economize) | (j) a _____ fish
(slip) |
| (d) a _____ neighbour
(quarrel) | (k) an _____ film
(educate) |
| (e) an _____ chapter
(introduce) | (l) a _____ child
(spoil) |
| (f) an _____ film
(entertain) | (m) a _____ cake
(stick) |
| (g) an _____ policeman
(observe) | (n) an _____ leaflet
(explain) |

Verbs made from nouns

In each space below put a verb made from the noun in brackets after the sentence.

- (a) The teachers _____ the pupils to study. (courage)
- (b) I want to _____ my house by building an extra room. (extent)
- (c) Fireworks _____ dogs and cats. (fright)
- (d) The doctor gave her some tablets to _____ the pain. (relief)
- (e) If the ambulance doesn't come soon, he'll _____ to death. (blood)
- (f) The police can't _____ that he committed the crime. (proof)
- (g) More floods could _____ hundreds of homes. (danger)

- (h) The police are trying to _____ the body. (identity)
- (i) They plan to _____ the bridge by building more stone supports. (strength)
- (j) She said women must _____ themselves from male domination. (liberty)
- (k) The smoke was so dense that we could hardly _____. (breath)
- (l) My brother and I decided to _____ the money we found. (half)
- (m) Why can't they _____ the break so that we have time for a coffee? (length)

Verbs made from adjectives

-en

Make verbs ending in *-en* from the following adjectives, making any necessary spelling changes, then put them in their correct places in the sentences below.

tight less sweet loose deep straight weak flat worse
sharp bright light ripe quiet broad dark deaf wide

- (a) Tomorrow will begin dark and cloudy but it will _____ later.
- (b) You can _____ the risk of theft by locking your bicycle.
- (c) These apples _____ in June.
- (d) You should _____ this dish by adding sugar.
- (e) The hospital phoned to warn that her husband's condition was beginning to _____.
- (f) This road is very narrow but they're planning to _____ it.
- (g) He managed to _____ the ropes round his wrists and escape.
- (h) They decided to _____ the ship by throwing some machinery into the sea.
- (i) I don't know how that loud disco music doesn't _____ people.
- (j) They are going to _____ that rough area to make a football pitch.
- (k) When the evening began to _____, we turned on the lights.
- (l) They are going to _____ the harbour so that it can take bigger ships.
- (m) Have you a knife? I want to _____ my pencil.
- (n) Foreign travel will _____ your experience.
- (o) She gave the noisy baby a toy to _____ it.
- (p) Can you _____ that picture on the wall? It's crooked.
- (q) That screw's loose. _____ it with a screwdriver.
- (r) The boxer began the fight strongly but began to _____ in the fifth round.

SPECIALIZED VOCABULARY

Formal Words

The three passages below are written in formal English. They contain words and structures which are often found in notices, regulations and formal letters but which are not common in ordinary everyday conversation.

- 1 Put each of the following formal words in its correct place in the notice below.

enquire produce facilitate stating seek obligatory
attend admitted leave

ALL COLLEGE STUDENTS

If you wish to obtain a certificate of registration you will be required to (a) _____ your admission slip. A note from your teacher (b) _____ that you (c) _____ your class regularly is not (d) _____ but will greatly (e) _____ matters. If you (f) _____ advice, please (g) _____ at the office. Overseas students should be aware that students are (h) _____ to the college only on condition that they have obtained (i) _____ to study from the Home Office.

- 2 Put each of the following words or phrases in its correct place in the passage below.

provide prior notify in possession of additional further desire
in excess of held retain locations terminating

Conditions of Car Rental

Drivers must have (a) _____ a valid driving licence for a minimum of three years. Overseas visitors should be (b) _____ a British or International licence.

Cars rented from our London office may only be returned to our other offices (Manchester, Bristol, Oxford) by (c) _____ arrangement and on payment of an (d) _____ charge.

If a driver fails to return a car to us by one week after the agreed (e) _____ date, we will be obliged to inform the police.

Special rates are available for periods (f) _____ three months.

Drivers who (g) _____ to (h) _____ the car for a longer duration should (i) _____ the company as soon as possible.

We also have offices at a number of (j) _____ in Scotland. Our London office will be pleased to (k) _____ (l) _____ details.

3 Instructions as above.

funds commencement ensure in duration commences departs
requested prior to undertake assist attire appropriate

TOUR OF SOUTHERN SPAIN

The tour is fourteen days (a) _____ and (b) _____ on Saturday 11 June, when our luxury coach (c) _____ from our London office. The price, which should be paid at least ten days (d) _____ the (e) _____ of the tour, is inclusive of all transport, meals and accommodation, but travellers should (f) _____ that they take with them adequate (g) _____ for extra expenses.

In the event of the cancellation of the tour we (h) _____ to refund the complete amount paid. The tour group will be accompanied by a courier, who will (i) _____ members of the group at all times.

Travellers are (j) _____ to wear (k) _____ (l) _____ for visits to churches and other holy places.

4 Make the following phrases more formal by replacing each word or phrase in italics with a word or phrase from one of the groups in the above three exercises. In some cases it is necessary to make a small change in, or addition to, the words or phrases.

e.g. the train *leaves* at 07.15 the train *departs* at 07.15
we *agree* to do the work we *undertake* to do the work

- | | |
|--|---|
| (a) <i>ask</i> at the station | (m) you must <i>have</i> a valid passport |
| (b) to <i>make</i> things <i>easier</i> | (n) the tour will <i>end</i> in Paris |
| (c) <i>before</i> our arrival | (o) they <i>go to</i> a primary school |
| (d) a <i>previous</i> engagement | (p) he was <i>allowed to enter</i> |
| (e) she will <i>help</i> us | (q) the regulations <i>say</i> that . . . |
| (f) <i>more than</i> £100 | (r) if you <i>want</i> information |
| (g) <i>more</i> information | (s) he has <i>permission</i> to be absent |
| (h) <i>tell</i> the company | (t) <i>show</i> your driving licence |
| (i) the <i>beginning</i> of the course | (u) <i>make sure</i> you have permission |
| (j) sufficient <i>money</i> for expenses | (v) you are <i>asked</i> to be punctual |
| (k) <i>keep</i> your ticket | |
| (l) they'll <i>give</i> more information | |

Slang and Colloquial Words

Slang

1 Slang is vocabulary which is used in very informal spoken language but not considered good in formal 'correct' English. For example a slang word for 'thank you' is 'ta' and a slang word for 'mad' is 'nuts'.

The slang words in the sentences below are printed in italics. Replace each slang word with a word or phrase from the following list.

made friend television policeman discarded nuisance
pound(s) cigarettes alcohol prison without money

- (a) He smokes 30 *fags* a day. Too many!
- (b) He drinks a lot. He must spend twenty *quid* a week on *booze*.
- (c) He thought his meal was overcooked. When the waiter brought his bill he *kicked up* a fuss and would not pay.
- (d) I lost £500 at a casino last night. I'm absolutely *skint*.
- (e) My *mate* stole a car. Now he's in *the nick*.
- (f) She got bored with her boyfriend and *ditched* him.
- (g) There's a good film on *the box* tonight, but I've got to go out. What a *drag*!
- (h) I wouldn't like to be a *copper* directing traffic in the street in this bad weather.

Colloquial words

2 Colloquial words are words which are quite acceptable in spoken English but not in written English (except in informal letters to friends etc.). For example we might say, 'He's a nice chap,' but we would probably write, 'He is a pleasant man.' (The line between slang and colloquial words is not at all clear and many words considered colloquial by some people would be considered slang by others.)

The colloquial words in the sentences below are printed in italics. Replace each colloquial word with a word or phrase from the following list.

drunk very good child short sleep bicycle dismiss joking
without money toilet possessions newspaper upper class

- (a) Her boss said he would *sack* her if she was late again.
- (b) There's a *super* film on at the pictures this week.
- (c) He made a lot of money and now he lives in a very *posh* district.
- (d) When I was a *kid* I went everywhere by *bike*.
- (e) My grandfather usually has a *snooze* after lunch.
- (f) Did you really find £50, or are you *kidding*?
- (g) She lives in just one room and has to share a kitchen, bathroom and *loo* with the other people in the house.
- (h) I'm *broke*. Can you lend me some money?
- (i) I'm afraid I drank too much and got a bit *merry*.
- (j) You can't believe everything you read in the *paper*.
- (k) She's very untidy. She leaves her *stuff* lying all over the place.

American Words

- 1 The American words in the sentences below are printed in italics. Replace each American word or phrase with a British word or phrase from the following list.

fall rise chemist caretaker playing truant flat railway timetable
tap nappies holidays ordinary uniformed policeman bill
pavement trousers saloon car postman post

- (a) His mother thought he was at school but in fact he was *playing hookey*. He'll probably *flunk* his exams.
- (b) The kitchen *faucet* in my *apartment* isn't working. I'll tell the *janitor*. He'll get it fixed.
- (c) Blue-collar workers are asking for a *pay-hike* and longer paid *vacations*.
- (d) The dog attacked the *mailman* and tore his *pants*.
- (e) Do you have a *railroad schedule*? I want an early train for Chicago tomorrow.
- (f) A *patrolman* reported a light-blue *sedan* parked right across the *sidewalk* on 3rd Street.
- (g) She has a little baby so she has to make regular visits to the *drugstore* to buy *diapers*.
- (h) When the waiter handed me the *check* after the meal, I found that I had no money!
- (i) How much does it cost to *mail* a letter to Australia?

- 2 Instructions as above.

petrol jam specialize (university studies) garden windscreen lift
underground cinema university queue maths (mathematics)
shops sweets rubbish note petrol station autumn
secondary school ground floor

- (a) We had to *stand in line* at the *movie-theater* last night.
- (b) Our back *yard* looks lovely in the *fall*. The leaves on the trees turn brown and red.
- (c) He wants to *major* in *math* at *college* when he leaves *high school*.
- (d) When you stop for *gas* at a *gas station*, they sometimes clean your *windshield*.
- (e) We had to buy a lot at the *stores*, then we took the *subway* home.
- (f) The *elevator's* broken down again, but it doesn't matter. We live on the *first floor*.
- (g) She likes *candy*, and bread and butter with *jelly* on it. They're bad for her teeth.
- (h) The only money I have is a twenty dollar *bill*.
- (i) In this district they only collect the *garbage* once a week.

Newspaper Headlines

Vocabulary

1 Certain words are found in newspaper headlines sometimes with a different meaning from that of their normal use. For each of the following 'headline words' on the left, find an item on the right with the same meaning (it will help you if you look at the headlines in exercise 2 below).

(a) AXE	fire
(b) BID	close down, dismiss (usually for economic reasons)
(c) BLAST	conflict, disagree(ment), fight, fighting
(d) BLAZE	diplomat
(e) CLASH	exciting or dramatic event
(f) CURB	attempt
(g) DRAMA	explosion
(h) ENVOY	affect badly
(i) HIT	vote, election, public opinion survey
(j) POLL	reduce, reduction, limit
(k) PROBE	investigate, investigation
(l) QUIT	question, interrogate, interview
(m) QUIZ	reduce drastically
(n) RIDDLE	leave, depart, resign
(o) SEEK	attract, interest, win the support of
(p) SLASH	look for, want, ask for
(q) STORM	mystery
(r) TOLL	marry
(s) WED	angry argument
(t) WOO	total number of dead

2 In headlines, as well as special vocabulary being used, some words (a, the, some, be, been etc.) are often omitted, abbreviations are common, and verb tenses are sometimes used differently. Explain the following headlines in simple English.

e.g. **UK TO SEND MORE AID TO GHANA**

The United Kingdom is going to send more help to Ghana.

(a) ARMY AXES 3 BASES, 2,000 MEN	(j) POLICE PROBE MISSING WOMAN RIDDLE
(b) BID TO REACH NORTH POLE FAILS	(k) TOP SCIENTIST QUILTS UK FOR US
(c) HOTEL BLAST KILLS 8	(l) 3 QUIZZED OVER BOY'S KIDNAP
(d) ANIMALS DIE IN ZOO BLAZE	(m) FILM STAR SEEKS DIVORCE
(e) US, USSR CLASH OVER ARMS CURBS	(n) AIR FARES SLASHED TO WOO HOLIDAY MAKERS
(f) 3 SAVED IN FLATS BLAZE DRAMA	(o) STORM AT UN OVER 'SPIES' ACCUSATION
(g) ENVOY ACCUSED OF SPYING	(p) EARTHQUAKE TOLL REACHES 27
(h) TOURISTS HIT BY PILOTS' STRIKE	(q) ACTOR TO WED FOR FIFTH TIME
(i) PM ANNOUNCES MARCH POLL	

Abbreviations

Abbreviations are a common part of language. We use many of them in spoken English, pronouncing them either as initials (BBC, EEC, FBI) or sometimes as complete words in themselves (NATO, OPEC). Some abbreviations are used only in the written form (Bros, St, Esq) and other abbreviations represent the original Latin or occasionally French or Italian words and are spoken quite differently from their written form (lb, oz).

- 1 Put each of the following abbreviations in its correct place in the sentences below. The full version of each abbreviation is given at the end of the exercise.

AA BBC C of E ITV MI5 OHMS BA BR M4 NSPPC
RSPCA in oz c/o ft lb Rd Esq

- (a) Non-commercial radio and television in Britain is controlled by the _____.
- (b) The _____ investigates cases of cruelty to children.
- (c) The _____ protects and cares for animals.
- (d) The _____ is the biggest organization for motorists in Britain.
- (e) If asked which church they belonged to, most English people would say _____.
- (f) _____ is the main British state security organization, responsible for acting against foreign espionage.
- (g) _____ operates the railway system in Britain.
- (h) Letters from government offices usually have the initials _____ on the envelopes.
- (i) The first degree in an arts subject from a British university is the _____.
- (j) The _____ runs from London to the south-west of England.
- (k) Most people enjoy watching the commercials (advertisements) between _____ programmes.
- (l) The weight of the parcel was 3 _____ 10 _____.
- (m) The length of the room is 22 _____ 6 _____.
- (n) John M Carter _____,
_____ Mr and Mrs R Waters,
21 Feltham _____,
London SW6.

Automobile Association
Bachelor of Arts
British Broadcasting Corporation
British Rail
care of
Church of England
Esquire (formal title for a man
used in addresses)
foot/feet (1 ft = 0.3048 m)
inch(es) (1 in = 2.54 cm)
Independent Television
Motorway No 4

Military Intelligence Department
No 5
National Society for the
Prevention of Cruelty to
Children
On Her Majesty's Service
ounce(s) (1 oz = 28.35 g)
pound(s) (1 lb = 0.454 kg)
Road
Royal Society for the Prevention
of Cruelty to Animals.

2 Instructions as above.

CIA FBI KGB OPEC UK USA EEC NATO UN USSR

- (a) The _____ was set up in 1945 to keep world peace and help international co-operation.
- (b) The _____ is often called the Common Market.
- (c) Most countries which export oil belong to _____.
- (d) The _____ is responsible for state security in the Soviet Union.
- (e) The American _____ works, normally secretly, to collect information about other countries.
- (f) _____ is a military alliance of the USA, Canada, and most West European countries, Greece and Turkey.
- (g) The _____ investigates crime in America.
- (h) There are fifty states in the _____.
- (i) Moscow is the capital of the _____.
- (j) The _____ consists of Great Britain (England, Scotland, Wales, the Channel Islands and the Isle of Man) and Northern Ireland.

Central Intelligence Agency
European Economic Community
Federal Bureau of Investigation
Komitet Gosudarstvennoi
Bezopasnosti
North Atlantic Treaty
Organization

Organization of Petroleum
Exporting Countries
United Kingdom
United Nations
United States of America
Union of Soviet Socialist
Republics

3 Instructions as above.

AD PTO °F PS St v BC Bros °C RSVP NB No

- (a) I didn't know anything was written on the other side of the page. Why didn't you write _____ at the bottom?
- (b) INTERNATIONAL FOOTBALL. ENGLAND _____ SPAIN.
- (c) The address of the firm was written as, 'Johnson _____, 82 East Dock _____, London E5.'
- (d) The Roman general, Julius Caesar, came to Britain over 2,000 years ago in 55 _____.
- (e) Candidates in this exam must answer question _____ 1 and any two others. _____ Answers must be written in pen, not pencil.
- (f) The summer temperature in Britain rises to about 80 _____, that's about 27 _____.
- (g) That house is more than 100 years old. It has '_____ 1877' on the wall.
- (h) The wedding invitation had _____ written on it, so I replied at once.
- (i) After finishing the letter to his parents, he thought for a moment and then added '_____ Please send more money.'

Anno Domini (in the year of our
Lord)
Before Christ
Brothers
degrees Celsius or centigrade
degrees Fahrenheit
Nota Bene (note carefully)

Number
Please Turn Over
Postscript
Répondez s'il vous plaît (please
reply)
Street
versus (against)

PAIRS OF WORDS OFTEN CONFUSED

Choose the correct word for each space below.

1 lose/loose

- (a) Look after that money or you'll _____ it.
- (b) That screw is a bit _____. You'd better tighten it.
- (c) The opposite of 'to find' is 'to _____'.
- (d) I tied the dog to a tree but it got _____ and ran away.

2 their/there

- (a) The students brought _____ books.
- (b) They are having _____ breakfast.
- (c) _____ are my friends!
- (d) It's a nice place. I often go _____.

3 advice/advise

- (a) I _____ you to see a doctor.
- (b) She didn't listen to her father's _____.
- (c) I'm very grateful to you for your _____.
- (d) I really don't know what to _____.

4 practice/practise

- (a) They need more _____.
- (b) They're pianists. They _____ six hours a day.
- (c) You won't increase your typing speed if you don't get more _____.
- (d) She took a job in a travel agency to _____ her languages.

5 weather/whether

- (a) I don't know _____ to see that film or not.
- (b) Their holiday was spoilt by bad _____.
- (c) What's the _____ like? Is it sunny?
- (d) She can't decide _____ she ought to marry him.

6 beside/besides

- (a) The post office is _____ the cinema.
- (b) They always sit _____ each other in class.
- (c) There are several big parks in London _____ Hyde Park.
- (d) What languages does he speak _____ English?

7 stationery/stationary

- (a) The bus stood _____ in the traffic jam for 20 minutes.
- (b) The teacher got some paper from the school _____ cupboard.
- (c) The weather system over Western Europe has been _____ for two days.
- (d) The office staff were told to use paper more carefully, since the _____ bill the month before had been very high.

8 accept/agree

- (a) He thinks she's beautiful but I don't _____ with him.
- (b) This machine does not _____ damaged coins.
- (c) They will only _____ to do the job if you pay them first.
- (d) He cannot _____ the fact that his wife is dead.

9 comprehensive/understanding

- (a) A priest is normally a patient, _____ person.
- (b) It's a very _____ book. It covers all aspects of the subject.
- (c) London taxi drivers have a very _____ knowledge of the city.
- (d) Whatever stupid things he did, his mother was always _____ and she forgave him.

10 sensible/sensitive

- (a) It's _____ to save part of your salary every month.
- (b) Don't laugh at him. He's very _____ about his appearance.
- (c) It's cold. I think it would be _____ to take a warm coat with you.
- (d) My skin is very _____ to the sun. Film is _____ to light.

11 actually/now

- (a) Ten years ago he had nothing; _____ he is a millionaire.
- (b) I've lost contact with him. I don't know where he is _____.
- (c) Is that necklace _____ made of gold?
- (d) Tell me the truth. What _____ happened?

12 control/check

- (a) The police were unable to _____ the football fans, who ran on to the pitch fighting and shouting.
- (b) An inspector came along the train to _____ all the tickets.
- (c) He's really a wild boy. His parents can't _____ him.
- (d) I advise you to _____ all your exam answers before you hand your paper in.

13 teacher/professor

- (a) The _____ told his class to do their homework carefully.
- (b) When I was at school I had a very good history _____.
- (c) He taught at the university for many years but he never became a _____.
- (d) _____ Bolton is head of the Chemistry Faculty at the University of York.

14 affect/effect

- (a) The punishment had no _____ on him. As soon as he left prison he began to steal again.
- (b) The new taxes will _____ the rich, they'll have to pay more.
- (c) The higher bus fares won't _____ me. I have a car.
- (d) The medicine had an immediate _____. I felt better at once.

15 past/passed

- (a) I've _____ the exam!
- (b) She _____ the post office on her way home, but forgot to go in.
- (c) The thief hid in a doorway and the policeman ran _____ him.
- (d) It was _____ midnight when I finally got to bed.

16 economic/economical

- (a) It isn't very _____ to leave the lights on when you're not in the room.
- (b) Because of the recent strikes, the _____ situation of the country is very bad.
- (c) She's an economist. She's an expert in _____ matters.
- (d) It's a very _____ little car. It uses very little petrol.

17 principal/principle(s)

- (a) Telling lies is against his _____.
- (b) He believed in the _____ that all men are equal.
- (c) Mr Williams is the _____ of this college.
- (d) Oxford Street is one of the _____ shopping streets of London.

18 grateful/thankful

- (a) I'm very _____ to you for your help.
- (b) He was very ashamed of what he had done and was _____ that his family didn't know about it.
- (c) We were all _____ that the weather was good for the picnic.
- (d) She was very _____ to her parents for their advice and support.

19 lend/borrow

- (a) Can you _____ me some money till Monday?
- (b) Britain had to _____ some money from the World Bank.
- (c) We _____ books from the library.
- (d) I'll _____ you my car if you promise to drive carefully.

20 quite/quiet

- (a) It's noisy here. Let's find a _____ place.
- (b) I'm _____ satisfied, thank you.
- (c) Sometimes she longed for the peace and _____ of the country.
- (d) He hadn't _____ finished when I came in.

21 canal(s)/channel

- (a) The shortest sea-route from Europe to India is through the Suez _____.
- (b) Before railways the _____ between cities were important routes of transport.
- (c) The seaway between Britain and France is often called the English _____.
- (d) He was bored by the television programme so he changed to a different _____.

22 priceless/valueless

- (a) The painting turned out to be _____, so I threw it away.
- (b) The Crown Jewels of the Royal Family cannot be insured. They are _____.
- (c) The contents of the British Museum are, of course, _____. They are of incalculable value.
- (d) Although these stamps are _____, I like them for their colour and design.

23 invaluable/worthless

- (a) A cassette-recorder is _____ in a pronunciation class.
- (b) Thank you so much for your advice. It was _____.
- (c) The information was completely false, quite _____.
- (d) These bank notes are no longer in use. I'm afraid they're _____.

24 continuously/continually

- (a) She is _____ coming late!
- (b) It rained _____ for three hours this morning.
- (c) The firemen worked _____ through the night to put out the flames.
- (d) I'm afraid you _____ make the same mistakes in your work.

25 hard/hardly

- (a) She's a _____ worker.
- (b) She works very _____.
- (c) I was so tired I could _____ speak.
- (d) He had _____ got home when the phone rang.

26 avoid/prevent

- (a) I try to _____ travelling in the rush hour. It's so tiring.
- (b) The police managed to _____ the crowd from moving forward.
- (c) We must do something to _____ such a thing happening again.
- (d) He swerved to the left to _____ the car coming towards him.

27 maybe/may be

- (a) We don't know where he is. He _____ in America.
- (b) We don't know where he is. _____ he's in America.
- (c) He's not in the office today. _____ he's ill.
- (d) It _____ that he's still in France. I don't know.

28 rise rose risen/raise raised raised

- | | |
|----------------------------|-------------------------------|
| e.g. Taxes will rise. | He raised his hat. |
| The sun rises in the east. | Prices will be raised by many |
| When the President | shopkeepers. |
| entered, everyone rose. | Raise your hand if you have a |
| Their hopes are rising. | question. |

Choose the correct verb in each sentence below.

- (a) They (rose/raised) their glasses and drank to the happy couple.
- (b) Of course prices always (rise/raise) in a time of inflation.
- (c) The smoke (rose/raised) high into the air.
- (d) College fees will be (risen/raised) from next September.
- (e) The two parts of Tower Bridge (rise/raise) to allow ships to go through.
- (f) The two parts of the bridge are (risen/raised) by very powerful machinery.
- (g) She couldn't hear him so he (rose/raised) his voice.
- (h) The water level has (risen/raised) six inches in the last three days.
- (i) The number of deaths in traffic accidents (rises/raises) every year.
- (j) He (rose/raised) his head and looked at her.

29 steal stole stolen/rob robbed robbed

- | | |
|-----------------------------|---------------------------------|
| e.g. Someone stole £10 from | A gang robbed the bank of |
| her. | £10,000. |
| £10 was stolen from her. | The bank was robbed of £10,000. |

Choose the correct verb in each sentence below.

- (a) He (stole/robbed) a bottle of whisky from the shop.
- (b) He was stopped and (stolen/robbed) by two armed men.
- (c) Two banks were (stolen/robbed) last week.
- (d) If you leave your money there, it'll be (stolen/robbed).
- (e) Someone's (stolen/robbed) my wallet!
- (f) They were planning to (steal/rob) a shop.
- (g) She (stole/robbed) some clothes from her employers.
- (h) We've been (stolen/robbed). Look, all our silver's gone!
- (i) In the old days they used to hang people who (stole/robbed) sheep.

30 lie lay lain/lay laid laid

e.g. Switzerland lies in central Europe.

He lay down on the grass.
His clothes were lying on the floor.

It had lain hidden for centuries.

Lay the books on the table.

He laid his hand on my shoulder.

The hen has laid an egg.

The bricks were laid badly.

Choose the correct verb in each sentence below.

- (a) Windsor (lies/lays) on the Thames west of London.
- (b) She gave the baby a kiss and (lay/laid) it on the bed.
- (c) Hurry up! (Lie/Lay) the table!
- (d) The dogs entered the room and (lay/laid) down near the fire.
- (e) He had (lain/laid) on the pavement for twenty minutes before help came.
- (f) He ordered the dog to (lie/lay) the newspaper at his feet.
- (g) He ordered the dog to (lie/lay) down.
- (h) This table has been carelessly (lain/laid).
- (i) All his belongings were (lying/laying) in a mess on the floor.
- (j) The porter had to (lie/lay) the luggage down and take a breath.
- (k) The Queen (lay/laid) the foundation stone of this building in 1965.
- (l) The soldiers ordered the terrorists to (lie/lay) down their arms, and then to (lie/lay) down on the ground with their hands behind their backs.

31 remember/remind

e.g. I remember meeting you in Paris last year.

Please remember to turn off the lights when you go.

Sorry, I can't remember your name.

I hope he remembers he must phone me.

Please remind me to post this letter.

You remind me of my brother.

I must remind you that the exam is next week.

Did you remind her about our meeting tomorrow?

Choose the correct verb in each sentence below.

- (a) What's Sandra's phone number? I can't (remember/remind).
- (b) Some parts of the city (remember/remind) me of my home town.
- (c) I must (remember/remind) to get some stamps from the post office today.
- (d) I (remember/remind) coming here when I was a child.
- (e) She (remembered/reminded) the class to be at the station early for the trip to the seaside.
- (f) He's very forgetful. His children always have to (remember/remind) him about his wife's birthday.
- (g) Please (remember/remind) that the ABC Company is our most important customer.
- (h) I have to (remember/remind) you that our business with the ABC Company is very important to us.
- (i) Do you (remember/remind) if I locked the door when we left the house?
- (j) There's John! Oh, that (remembers/reminds) me! He owes me some money.

KEY

Topics

Air Travel (p. 5)

- 1 (a) check in (b) trolley (c) check-in desk
(d) check (e) excess baggage (f) conveyor belt
(g) hand luggage (h) immigration officer
(i) security guard (j) departure lounge
(k) duty free (l) departures board
(m) announcement (n) board (o) departure gate
(p) security check (q) passengers (r) on board
(s) taxi (t) runway (u) take off 2 (a) airliner
(b) cabin crew (c) aisle (d) turbulence
(e) seat belts (f) headphones (g) land 3 (a) by
(b) off (c) through (d) at (e) to... off (f) in
(g) on (h) at

Bank Accounts (p. 6)

- 1 (a) open (b) account (c) formalities
(d) branch (e) fill in (f) bank charges
(g) overdraft 2 (a) current (b) interest
(c) cheque (d) deposit (e) withdraw (f) notice
3 (a) statement (b) deposit (c) withdrawal
(d) balance (e) standing order 4 (a) expenditure
(b) income (c) overdrawn (d) keep a record
(e) counterfoil (f) crossed (g) cash 5 (a) from
(b) in (c) for (d) to (e) at (f) out of (g) from

Books and Reading (p. 7)

- 1 (a) atlas (b) textbook (c) dictionary
(d) encyclopaedia (e) thriller (f) manual
(g) guidebook (h) Who's Who 2 (a) bookworm
(b) browse (c) illustrations (d) glossary
(e) footnotes (f) bibliography (g) borrow (h) fine
(i) reviews (j) published 3 (a) Contents page:
normally at the front, tells you what the book contains,
in order of chapters or pages. Index: in alphabetical
order and usually at the back, a list of names, places
etc. mentioned in the book with page references.
(b) A bookshop sells books; a library lends them.
(c) An author writes books; a publisher prints and
sells them. (d) You lend something to someone, and
borrow from someone. (e) A biography: someone's
life story. An autobiography: a biography written by its
subject. (f) Fiction: imaginary writing. Non-fiction:
factual writing. Reference books: information books.
4 (a) from (b) to (c) at (d) in (e) up... in
(f) by (g) on

Cars (p. 8)

- 1 (a) boot (b) aerial (c) windscreen (d) bonnet
(e) bumper (f) number plate (g) headlights
(h) tyre (i) engine (j) windscreen wipers
(k) wheel (l) exhaust pipe (m) gear lever
(n) rear-view mirror (o) dashboard
(p) steering wheel (q) seat belt
(r) accelerator (pedal) (s) headrest
(t) brake (pedal) (u) clutch (pedal)
2 (a) fuel consumption... mpg... petrol tank
(b) performance (c) vehicle... rear
(d) instruments (e) overtake (f) reverse (g) body
(h) indicate

Cinema and Films (p. 9)

- 1 (a) cinema (b) review (c) critic

- (d) performance (e) foyer (f) poster
(g) usherette (h) screen (i) row (j) aisle
(k) cartoon (l) trailer (m) horror
2 (a) performance (b) role (c) cast (d) director
(e) studio (f) location (g) documentary
(h) critical (i) box office (j) plot 3 (a) on (b) in
(c) on (d) on at (e) on (f) at (g) for (h) to
(i) on (j) at (k) at (l) to... in (m) at

Doctors and Hospitals (p. 10)

- 1 (a) general practitioner (b) nurse
(c) psychiatrist (d) patient (e) in-patient
(f) out-patient (g) surgeon (h) casualty
(i) midwife (j) medical student (k) specialist
2 (a) receptionist (b) waiting room
(c) appointment (d) symptoms (e) examine
(f) stethoscope (g) pulse (h) temperature
(i) thermometer (j) prescription (k) chemist
(l) treatment (m) ward (n) operation
3 (a) on (b) to (c) from (d) in (e) with
(f) of (g) for

Education (p. 11)

- 1 (a) nursery school (b) primary (c) academic
(d) terms (e) break up (f) secondary
(g) co-educational (h) compulsory (i) state
(j) private (k) graduate (l) degree (m) tutorial
(n) seminar (o) lecture (p) grant (q) fees
2 (a) Students sit an exam. Examiners set an exam.
(b) Take an exam: attempt the questions. Pass an
exam: be successful. (c) Compulsory: required by
law or regulation. Voluntary: performed by free choice.
(d) Schools and universities educate people. Parents
bring them up. (e) A pupil: a child at school. A
student: normally an older person and at college or
university. 3 (a) to (b) at... of (c) in (d) at
(e) to (f) into (g) up (h) at (i) in (j) from
(k) by

Elections and Government (p. 12)

- 1 (a) predict (b) opinion poll
(c) election campaign (d) support (e) vote
(f) polling station (g) polling day (h) ballot box
(i) candidate 2 (a) one-party states (b) majority
(c) opposition (d) coalition (e) cabinet
(f) prime minister (g) left-wing (h) right-wing
(i) split (j) alliance 3 (a) pro-: for, in support of.
Anti-: against. (b) An election: when people vote for
a person or persons to represent them. A referendum:
when a nation votes on one particular issue.
4 (a) for (b) in (c) against (d) to (e) with
(f) between (g) in

Flats and Houses (p. 13)

- 1 (a) flat (b) self-contained (c) rent
(d) advertisements (e) accommodation agency
(f) block (g) fee (h) landlord (i) deposit
(j) references 2 (a) terraced (b) cramped
(c) spacious (d) estate agent (e) semi-detached
(f) surveyor (g) condition (h) removals
(i) architect (j) detached (k) builder 3 (a) A
landlord owns property and receives rent for it. A
tenant pays rent for the use of a room, flat, or other

property. (b) A house usually has two or more storeys. A bungalow has only one. (c) The ground floor is at ground level. The first floor is above the ground floor. 4 (a) on (or of) (b) in (c) into (d) with (e) for (f) on (g) in (h) in (i) at ... in (l) of

Food and Restaurants (p. 14)

1 (a) cookery books (b) dish (c) recipe (d) ingredients (e) snack (f) eat out (g) waiter (h) menu (l) bill (j) tip (k) fast food (l) take-away 2 (a) entertaining (b) cutlery (c) napkin (d) starter (e) main course (f) vegetarian (g) diet (h) side dish (i) dessert (j) washing up (k) sink (l) crockery 3 (a) A buffet: a meal when people help themselves to food laid out on a table, and often eat standing up. A banquet: a grand meal for a lot of people on a special occasion. (b) Overcooked: cooked too much. Undercooked: not cooked enough. Raw: uncooked; (c) A chef cooks in a restaurant or hotel. A caterer offers a service providing food and drink for special occasions. (d) A café: a restaurant offering simple meals and snacks. A canteen: a restaurant in a factory, office, school etc. 4 (a) for (b) out (c) down (d) to (e) to (f) to (g) at (h) of (i) out (j) in (k) up

Gambling, Smoking and Drinking (p. 15)

1 (a) compulsive gamblers (b) betting (c) games of chance (d) fortune (e) wreck (f) odds (g) bookmakers (h) punters (i) casino (j) broke 2 (a) addiction (b) craving (c) chain-smoke (d) put out (e) antisocial (f) stained (g) ash trays (h) harmful (i) packet (j) fatal 3 (a) soft drinks (b) teetotallers (c) sip (d) sociable (e) spirits (f) tipsy (g) drunk (h) hangover (i) alcoholics (j) sober 4 (a) on (b) up ... down (c) out (d) to (e) on

Industry and Agriculture (p. 16)

1 (a) economy (b) produce (c) products (d) shipyards (e) plants (f) boom (g) slump (h) natural resources (i) import (j) export (k) markets 2 (a) self-sufficient (b) farmers (c) dams (d) irrigate (e) fertilizers (f) fertile (g) crops (h) harvest (i) livestock (j) agricultural 3 (a) Oil is extracted from the ground at an oilfield. It is purified and made ready for use at a refinery. (b) Coal or gold etc. are taken from under the ground at a mine. Stone is taken from the surface at a quarry. (c) The producer manufactures goods. The consumer buys them to use. (d) To plough: to break and turn over earth. To sow: to put seeds into ploughed earth. 4 (a) on (b) in (c) of (d) from (e) in (f) to

International Relations (p. 17)

1 (a) leader (b) hold (c) summit meeting (d) preliminary (e) agenda (f) item (g) news conference (h) spokesman (i) breakdown (j) superpowers (k) settle 2 (a) split (b) in protest at (c) break off (d) diplomatic relations (e) ambassadors (f) embassies (g) resume (h) links 3 (a) on ... for (b) by (c) at ... in (d) about (e) of (f) in ... at (g) over ... for

Law and Order (p. 18)

1 (a) investigate (b) arrest (c) handcuff (d) charge (e) theft (f) fingerprints (g) cell (h) detained (i) court (j) magistrate (k) oath

(l) pleaded (m) witnesses (n) evidence (o) found (p) fine (q) sentence 2 (a) solicitor (b) trial ... jury ... verdict (c) warders (d) inquest ... coroner (e) detective ... plain clothes (f) death penalty 3 (a) in (b) to (c) of (d) of (e) with (f) in ... in (g) before (h) of

Music (p. 19)

1 (a) concert hall (b) audience (c) musicians (d) instruments (e) conductor (f) bow (g) baton (h) score (i) keys (j) string (k) bows 2 (a) group (b) top ten (c) number one (d) recording studio (e) live (f) concert (g) stage (h) fans (i) vocalist (j) lyrics 3 (a) An orchestra: a large group of musicians, who often play classical music. A band: normally a smaller group, who play popular music. (b) Percussion instruments: played by being hit (drums). Wind instruments: played by being blown (trumpet). (c) A concert: a musical performance before an audience. A rehearsal: a practice for a performance. (d) A composer writes music. A musician plays it. 4 (a) at (b) in (c) by (d) on (e) in

Natural Disasters (p. 20)

1 (a) drought (b) famine (c) starve (d) starvation (e) flood (f) drown (g) helicopters (h) drop (i) cut off 2 (a) earthquake (b) casualties (c) collapse (d) rescue teams (e) trapped (f) rubble (g) outbreak (h) epidemic (i) medical teams (j) toll 3 (a) on fire (b) fire brigade (c) fire engine (d) fireman (e) overcome (f) under control (g) put out (h) arson 4 (a) of (b) from ... to (c) to ... off (d) for (e) for ... in (f) under (g) by

Public Transport (p. 21)

1 (a) cab (b) hail (c) taxi-rank (d) fare (e) meter (f) tip (g) double-decker (h) single-decker (i) crew (j) driver (k) conductor (l) conductress (m) inspector (n) check (o) bus stop (p) destination (q) rush hour (r) tube (s) subway (t) metro (u) platform (v) escalator (w) lift (x) sliding doors (y) coach (z) rack 2 (a) A carriage: a separate car or wagon. A compartment: one section of a carriage. (b) A season ticket enables you to travel as often as you like on a particular route during a given time. A return ticket is only good for one journey each way between two places. (c) A bus driver drives a bus. A bus conductor collects money for fares. (d) A train driver drives a train. A guard has general responsibility for the safety of the train. 3 (a) in (b) at (c) for (d) for (e) at (f) on (g) at (h) for (i) off ... at (j) at (k) from

Romance and Marriage (p. 22)

1 (a) romantic (b) attracted (c) keen (d) date (e) go out (f) approve (g) mature (h) drift apart (i) break off (j) relationship 2 (a) propose (b) engaged (c) consent (d) civil (e) wedding (f) bride (g) bridegroom (h) reception (i) toast (j) honeymoon 3 (a) To be fond of someone: to have a warm feeling towards that person. To be in love with someone: have a very deep feeling, often only towards that person. (b) A married couple who are separated live apart. If they are divorced, their marriage is legally at an end. (c) An engaged girl's fiancé is her husband-to-be. An engaged man's

fiancée is his wife-to-be. (d) Your mother is the woman who gave birth to you. Your mother-in-law is your husband's or wife's mother. 4 (a) out (b) out with (c) out (d) of (e) to (f) in ... with (g) to (h) to (i) of (j) in

Shopping (p. 23)

1 (a) antique shop (b) florist's (c) stationer's (d) newsagent's (e) tobacconist's (f) grocer's (g) greengrocer's (h) pet shop (i) baker's (j) butcher's 2 (a) off-the-peg (b) label (c) tag (d) fit (e) try on (f) assistant (g) cashier (h) cash desk (i) till (j) receipt (k) exchange (l) refund (m) bargain (n) sales (o) mail order 3 (a) To overcharge: to ask a customer for more than the true price. To undercharge: to ask for less. (b) A shopkeeper owns and runs a shop. A shoplifter steals from shops after entering as a customer. (c) If you go shopping you buy things. If you go window-shopping you just look in the shop-windows. (d) A wholesaler sells goods to retailers. Retailers are shops, which sell to the public. 4 (a) in (b) on (c) at ... in (d) by (e) inside (f) back (g) with (h) for

Sport (p. 24)

1 (a) pitches (b) courts (c) pools (d) rings (e) rink (f) stadium (g) spectators (h) track events (i) field events (j) athletes (k) officials (l) scoreboard 2 (a) team (b) players (c) amateurs (d) train (e) gymnasium (f) match (g) track suits (h) referee (i) captains (j) toss a coin (k) crowd (l) draw 3 (a) Amateurs are not paid; professionals are paid. (b) A winner wins. A runner-up comes second. (c) You win a game or race. You beat your opponent. (d) A hurdle race has jumps. A relay race has two or more people in the same team, each completing a part of the race. 4 (a) for (b) on (c) on (d) at (e) in (f) of ... at (or in) (g) of (h) between (i) in

Television and Newspapers (p. 25)

1 (a) mass media (b) switch (c) channels (d) indoctrinate (e) objective (f) subjective (g) commercials (h) soap operas (i) quiz shows (j) viewers 2 (a) advertising (b) circulation (c) entertainment (d) headlines (e) cartoons (f) sensational (g) gossip columns (h) views (i) censorship (j) correspondents (k) news agencies (l) reviews (m) editorials 3 (a) Viewers watch television. Listeners listen to the radio. (b) A mass circulation newspaper sells a large number of copies. A small circulation paper sells a small number. (c) An editor runs a newspaper. A reporter writes news stories. A critic reviews new plays, books or films. 4 (a) to (b) for (c) in (d) on (e) over

Theatre (p. 26)

1 (a) dressing room (b) stage (c) row (d) aisle (e) stalls (f) circle (g) foyer (h) box office (i) backstage (j) box 2 (a) director (b) playwright (c) cast (d) auditions (e) parts (f) audience (g) theatre-goers (h) rehearsals (i) first night (j) applause (k) reviews (l) critics (m) hit (n) run (o) flop (p) performances (q) matlnées 3 (a) in (b) to (c) on (d) at (e) in (f) behind (g) during (h) in (i) at ... at (j) in

Travel (p. 27)

1 (a) leisure (b) travel agents (c) cut-price tickets (d) off the beaten track (e) hitch-hiking (f) youth hostels (g) package holiday (h) resort (i) peak (j) off-peak 2 (a) travel (b) journey (c) tour (d) cruise (e) voyage (f) trip (g) flight (h) journey (i) tour (j) trip 3 (a) A bed and breakfast place is a cheap, simple hotel where the overnight charge includes breakfast. (b) People are seasick in ships, airsick when flying and carsick in cars if the movement upsets their stomach. (c) A tour operator organizes holidays. A travel agent sells them to the public. (d) At sea: on a ship far from land. At the seaside: by the sea, often at a holiday coastal resort. 4 (a) by (b) in (c) on (d) in (e) at

War (p. 28)

1 (a) clashes (b) forces (c) aggression (d) mobilize (e) hostile acts (f) retaliate (g) deteriorate (h) ultimatum (i) declare war (j) outbreak 2 (a) civilian (b) targets (c) neutral (d) intermediary (e) get involved (f) intervene (g) ceasefire (h) peace-keeping force (i) peace treaty (j) withdraw 3 (a) An army advances when it goes forward against the enemy and retreats when it goes back under enemy pressure. (b) War: usually between two or more countries. Civil war: between two sides in the same country. (c) Conventional war: fought with troops and 'ordinary' weapons (guns, ships, planes). Nuclear war: fought with nuclear weapons. (d) An ally: a group or country which fights on your side. An enemy: the side opposing you. 4 (a) on (b) in ... for (c) in (d) out (e) as ... in (f) out (g) between

Welfare State (p. 29)

1 (a) welfare state (b) elderly (c) pension (d) retire (e) low incomes (f) subsidized (g) medical treatment (h) benefits (i) schooling (j) physically disabled (k) mentally handicapped (l) out of work (m) eligible (n) social services (o) social workers 2 (a) Advice: a noun. Advise: a verb. (b) Blind: unable to see. Deaf: partially or totally unable to hear. (c) Free: without charge. Subsidized: (rent, meals, food) of lower price than is normal because the government or company pays a part. (d) A hearing aid helps the deaf to hear. Braille helps the blind to read. (e) Haves: people who have money, jobs, homes. Have-nots: people who lack these. 3 (a) with (b) out of (c) in ... for (d) at (or in) (e) at ... of (f) for

Work (p. 30)

1 (a) applicants (b) vacancy (c) fill in (d) application forms (e) apply (f) short-list (g) interview (h) qualifications (i) experience (j) references 2 (a) salary (b) increments (c) pension (d) retire (e) commission (f) perks (g) prospects (h) promotion (i) commute (j) ambitious 3 (a) in (b) at (c) to ... for ... as (d) for (e) in (f) in (g) in (h) at (i) of (j) of (k) to

Mini Topics

Argument (p. 31)

- (a) resentment (b) friction (c) jealous (d) row
(e) disagreement (f) troublemaker (g) aggressive
(h) nag

Sadness (p. 31)

- (a) tears (b) sob (c) heartbroken (d) loss
(e) comfort (f) grief (g) sleepless (h) recover
(i) withdrawn (j) miss

Nervousness (p. 31)

- (a) nerves (b) tremble (c) sweat (d) blush
(e) embarrassment (f) shy (g) tongue-tied
(h) stammer (i) faint (j) tranquillizer

Success (p. 32)

- (a) ambitious (b) ladder (c) power (d) achieve
(e) achievement (f) confidence (g) exploit
(h) ruthless (i) determined (j) ability

Fame (p. 32)

- (a) celebrity (b) entourage (c) autographs
(d) fans (e) interviews (f) in the public eye
(g) privacy (h) bodyguards (i) pressures
(j) break-up

Pride (p. 32)

- (a) snob (b) proud (c) contemptuous (d) boast
(e) vain (f) conceited (g) thick-skinned (h) pride

Birth (p. 33)

- (a) expecting (b) pregnant (c) born
(d) maternity ward (e) midwife (f) deliver
(g) parents (h) call (i) prams (j) cots (k) crawl

Childhood and Adolescence (p. 33)

- (a) adults (b) adult (c) daydreams
(d) idolize (e) hobbles (f) teens (g) development
(h) introverts (i) extroverts (j) relationships

Death (p. 33)

- (a) hearse (b) funeral (c) priest (d) dead
(e) mourners (f) cemetery (g) crematorium
(h) will (i) leave (j) widow (k) inherits

Advertising (p. 34)

- (a) classified advertisements (b) posters
(c) hoardings (d) advertising agencies
(e) publicize (f) eye-catching (g) commercials
(h) persuade

Art (p. 34)

- (a) creative (b) sculptor (c) sculpture (d) painter
(e) amateur (f) professional (g) dealers
(h) works (i) galleries (j) reproductions

Photography (p. 34)

- (a) camera (b) snaps (c) prints (d) album
(e) slides (f) projector (g) develop
(h) enlargements

Military Service (p. 35)

- (a) compulsory (b) forces (c) volunteers
(d) army (e) navy (f) air force (g) promotion
(h) officer

Police (p. 35)

- (a) join (b) police force (c) policeman (d) rank
(e) uniform (f) walkie-talkie (g) detective
(h) plain clothes

Security Work (p. 35)

- (a) security firm (b) armoured vehicles
(c) bullet-proof (d) guards (e) tap (f) bug
(g) private detectives (h) couriers (i) kidnapers

The Countryside (p. 36)

- (a) rural (b) unpolluted (c) pace (d) villages
(e) relaxed (f) cultivated (g) farms

- (h) national parks (i) wildlife (j) remote

The Seaside (p. 36)

- (a) beach (b) horizon (c) waves (d) drown
(e) currents (f) depth (g) lifeguards (h) dive
(i) shallow (j) cliffs

Mountains (p. 36)

- (a) range (b) height (c) ascent (d) mountaineers
(e) climb (f) peak (g) oxygen (h) equipment
(i) ropes (j) descent

Electrical Appliances (p. 37)

- (a) lead (b) plug (c) socket (d) switch
(e) adjust (f) knob (g) controls (h) unplug
(i) electrician (j) dealer

The Telephone (p. 37)

- (a) operator (b) look up (c) directory
(d) receiver (e) dial (f) engaged (g) get through
(h) line

Computers (p. 37)

- (a) calculator (b) computers (c) hardware
(d) software (e) screen (f) keyboard (g) printer
(h) word processor

Factory Work (p. 38)

- (a) manual (b) white collar (c) apprentice
(d) factory (e) foreman (f) canteen (g) tea break
(h) labour relations (i) management (j) shop floor

Office Work (p. 38)

- (a) correspondence (b) file (c) filing cabinets
(d) callers (e) dictate (f) shorthand
(g) typewriter (h) stationery

A Strike (p. 38)

- (a) go on strike (b) dispute (c) dismiss
(d) shop steward (e) deadlock (f) unemployment
(g) on the dole (h) picket line (i) redundant

Related Word Groups

Sounds (p. 39)

- 1 (a) squeal (b) crash (c) roar (d) rustle
(e) splash (f) bang (g) creak (h) whistle
(i) clatter (j) rumble 2 (a) hum (b) pips
(c) pop (d) crack (e) peal (f) squeak (g) tick
(h) jingle

Animal Sounds (p. 39)

- (a) chatter (b) roar (c) bark, growl
(d) miaow, purr (e) neigh (f) cluck (g) crow
(h) buzz (i) moo (j) bleat (k) trumpet
(l) grunt, squeal (m) bray (n) croak (o) hiss
(p) quack (q) howl (r) squeak

Human Sounds (p. 40)

- (a) stammer (b) sniff (c) puff ... pant (d) snore
(e) hiccup (f) sneeze (g) whisper (h) yawn
(i) sigh (j) cough (k) groan

Ways of Looking (p. 40)

- (a) stare (b) peep (c) blink (d) gaze (e) frown
(f) glimpse (g) wink (h) peer (i) glare
(j) glance

Walking (p. 41)

- (a) stagger (b) wander (c) stroll (d) limp
(e) slip (f) creep (g) march (h) stray (i) crawl
(j) trip (k) dash (l) trudge

Body Movements (p. 41)

- 1 (a) his muscles ... (b) his head in
disagreement (c) his fists ... (d) his
neck ... (e) his fingers ... (f) his shoulders
(g) his forehead ... (h) his arms ... (i) his head
thoughtfully (j) his breath ... (k) his foot ...
(l) his knee ... 2 (a) with fear

(b) with cold (c) in the hot sun (d) with embarrassment (e) when he heard the sad news (f) in surprise at the sudden noise (g) in his armchair after a hard day's work (h) after going without food for three days 3 (a) in agreement (b) when he was introduced to the Queen (c) when she was introduced to the Queen (d) when she saw her friend getting off the bus (e) because he was happy (f) when his commanding officer entered the room (g) after sitting in the same position for so long (h) to show the shop assistant what he wanted 4 (a) stretch (b) slap (c) punch (d) pat (e) stroke (f) grab (g) squeeze (h) grope (i) nudge (j) beckon

Containers (p. 42)

(a) shopping (b) clothes and personal things for a long stay (c) petrol, water (d) cash, secret documents, jewellery (e) flowers (f) coins (g) bank notes, tickets (h) boiling water (i) suits, jackets, dresses (j) business papers (k) letter (l) water, milk (m) clothes and belongings for, say, a week's holiday (n) beer (o) school books (p) waste paper (q) chocolates, matches (r) hot tea, cold drinks

Furniture and Fittings (p. 43)

(a) curtains (b) cupboard (c) bookcase (d) shelf (e) cushion (f) sofa (g) desk (h) chair (i) carpet (j) armchair (k) table (l) lampshade (m) lamp (n) drawer (o) pillow (p) sheet (q) wardrobe (r) blanket (s) mattress (t) rug (u) stool (v) washbasin (w) bed (x) chest of drawers

Connectors (p. 44)

1 (a) nut (b) screw (c) needle (d) nail (e) pin (f) bolt (g) safety pin (h) drawing pin (i) chain (j) rope (k) paper clip (l) string (m) thread (n) rubber band 2 (a) needle ... thread (b) string (c) rope (d) safety pins (e) nail (f) drawing pin (g) pins (h) paper clip (i) nuts ... bolts (j) screws (k) chains (l) rubber band

Tools (p. 45)

1 (a) hammer (b) spanner (c) screwdriver (d) axe (e) penknife (f) chisel (g) scissors (h) mallet (i) jack (j) rake (k) drill (l) saw (m) spade (n) fork 2 (a) scissors (b) screwdriver (c) spade (d) drill (e) jack (f) hammer (g) axe (h) chisel (i) mallet (j) rake (k) penknife (l) fork (m) saw (n) spanner

Vehicles (p. 46)

(a) motorbike (b) van (c) bulldozer (d) scooter (e) lorry (f) caravan (g) tanker (h) trailer (i) car (j) ambulance (k) bus (l) coach

Bicycle (p. 46)

(a) saddle (b) frame (c) back light (d) mudguard (e) gears (f) chain (g) pedal (h) pump (i) spokes (j) tyre (k) front light (l) handlebars (m) brakes (n) bell

Collective Nouns (p. 47)

(a) fleet (b) herd (c) swarm (d) mob (e) suite (f) crowd (g) bunch (h) congregation (i) shoals (j) flight (k) gang (l) clump (m) flocks (n) swarm (o) bunch (p) fleet (q) bundle (r) audience (s) bunch (t) set (u) stack (v) suite (w) pack (x) crew (y) flock (z) set

Young Animals (p. 47)

(a) cub (b) foal (c) piglet (d) cub (e) puppy

(f) calf (g) kitten (h) cub (i) duckling (j) lamb (k) kid (l) chick

Law Breakers (p. 48)

1 (a) sets fire to property ... (b) steals from shops ... (c) attacks and robs people ... (d) is anyone who breaks the law (e) deliberately causes damage to property (f) breaks into houses ... (g) kills someone (h) takes away people by force ... (i) steals things from people's pockets ... (j) helps a criminal ... (k) buys and sells drugs ... (l) gets secret information from another country (m) uses violence for political reasons 2 (a) murders ... (b) causes damage or a disturbance ... (c) hides on a ship ... (d) is someone who steals (e) takes control of a plane ... (f) makes counterfeit money ... (g) steals money etc. by force ... (h) brings goods into a country illegally ... (i) betrays his or her country ... (j) is a member of a criminal group (k) is a soldier who runs away from the army (l) marries illegally ...

Occupations (p. 49)

1 (a) controls parking ... (b) collects rubbish ... (c) arranges shop-window displays (d) helps people buy and sell houses (e) deals with office correspondence ... (f) makes arrangements for funerals (g) makes brick buildings and walls (h) works in a government ministry (i) treats sick animals (j) sells newspapers ... (k) delivers babies 2 (a) cooks in a restaurant ... (b) designs buildings (c) works in a library (d) sells fish ... (e) gets coal ... (f) runs a museum (g) designs the insides of houses ... (h) types letters ... (i) drives someone's car ... (j) operates on sick people 3 (a) tests people's eyes ... (b) makes people laugh at a circus (c) rides racehorses (d) sells valuable objects at an auction (e) prepares books ... for publication (f) loads and unloads ships ... (g) treats people's feet (h) sells meat (i) writes for a newspaper (j) represents country ... (k) sells flowers ...

Male and Female (p. 50)

(a) queen (b) bus conductor (c) wife (d) bride (e) hero (f) girl guide (g) barman (h) policeman (i) air stewardess (or hostess) (j) headmaster (k) actress (l) monk (m) waitress (n) prince (o) niece (p) hostess (q) landlady (r) widower (s) uncle

People (p. 50)

(a) can't stop talking (b) is intellectual ... (c) is inquisitive ... (d) loves reading books (e) is very keen on the cinema (f) is slow (g) is not very active or energetic (h) is confused and forgetful (i) loves to work (j) likes to open the windows ... (k) is clever and ambitious ... (l) causes difficulties between people (m) seems to enjoy preventing others from enjoying themselves

Clothes (p. 51)

1 (a) shirt (b) tie (c) jacket (d) waistcoat (e) overcoat (f) trousers (g) shoes (h) boots (i) suit (j) pullover (k) blouse (l) scarf (m) hat (n) cap (o) tee-shirt (p) shorts (q) sandals (r) socks (s) pyjamas (t) dress (u) slippers (v) skirt (w) apron 2 (a) lining (b) lapel (c) sleeve (d) pocket (e) toe (f) laces (g) heel (h) sole (i) collar (j) label (k) seam

- (l) cuff (m) button (n) belt (o) crease (p) zip
 (q) buckle 3 (a) dress (b) dresses (c) wear
 (d) dressed (e) wearing (f) dressed (g) dress
 (h) wearing... dress (i) dress (j) dress
 4 (a) up (b) off (c) on (d) in (e) up (f) on
 (g) off... on (h) in (i) up (j) up

Parts of the Body (p. 52)

- 1 (a) forehead (b) hair (c) eye (d) ear
 (e) cheek (f) nostril (g) mouth (h) throat
 (i) chin (j) neck (k) jaw (l) lips (m) nose
 (n) eyelashes (o) eyelid (p) eyebrow
 2 (a) shoulder (b) arm (c) hand (d) leg
 (e) foot (f) sole (g) toe (h) heel (i) ankle
 (j) shin (k) calf (l) knee (m) thigh (n) nail
 (o) finger (p) palm (q) thumb (r) hip (s) wrist
 (t) waist (u) forearm (v) elbow (w) stomach
 (x) chest

Punctuation Marks and Printing (p. 53)

- (a) capital letter (b) small letter (c) stroke
 (d) dash (e) underlining (f) paragraph
 (g) full stop (h) italics (i) bracket (j) apostrophe
 (k) question mark (l) abbreviation (m) footnote
 (n) asterisk (o) exclamation mark
 (p) inverted commas (q) subheading (r) comma
 (s) semicolon (t) hyphen (u) colon (v) heading

British Measurements (p. 53)

- (a) inch (b) foot (c) yard (d) mile (e) acre
 (f) ounce (g) pound (h) stone (i) pint (j) gallon

Quantities (p. 54)

- (a) of soap (b) of shoes (c) of matches
 (d) of potatoes (e) of film (f) of tobacco
 (g) of cloth (h) of milk (i) of land (j) of wine
 (k) of petrol (l) of flowers (m) of sardines
 (n) of toothpaste (o) of cigarettes (p) of jam

Shapes (p. 54)

- (a) shape (b) size (c) rectangle (d) horizontal
 (e) vertical (f) square (g) diagonal (h) centre
 (i) corner (j) triangle (k) angle (l) right angle
 (m) parallel (n) upper (o) lower (p) circle

Word Building

Prefixes (pp. 55-57)

- 1 (a) co (b) inter (c) co (d) ex (e) inter
 (f) re (g) inter (h) re (i) ex (j) co
 2 (a) counter (b) bi (c) pre (d) semi (e) bi
 (f) bi (g) pre (h) counter (i) semi (j) semi
 3 (a) post (b) non (c) mono (d) non (e) post
 (f) mono (g) anti (h) anti (i) non 4 (a) de
 (b) trans (c) de (d) super (e) trans (f) multi
 (g) de (h) super (i) super (j) multi 5 (a) sub
 (b) pro (c) sub (d) sub (e) uni (f) tri (g) pro
 (h) tri (i) pro (j) uni 6 (a) over (b) over
 (c) under (d) over (e) under (f) under (g) over
 (h) under (i) over (j) under 7 (a) un (b) un
 (c) un (d) dis (e) un (f) dis (g) un (h) un
 (i) dis (j) un (k) dis (l) un (m) dis (n) dis
 (o) dis (p) un (q) dis (r) dis (s) un (t) dis
 (u) un (v) dis 8 (a) ir (b) im (c) il (d) in
 (e) im (f) im (g) in (h) il (i) ir (j) im (k) in
 (l) ir (m) im (n) il (o) in (p) il (q) in (r) ir
 (s) in (t) in (u) ir (v) in

Suffixes (pp. 58-60)

- 1 (i) (a) monkish (b) amateurish (c) childish
 (d) piggish (e) girlish (ii) (a) sevenish
 (b) darkish (c) fairish (d) twentyish (e) tallish
 (f) smallish (g) greenish 2 (a) waterless

- (b) harmful (c) thoughtful (d) successful
 (e) harmless (f) thoughtless (g) beautiful
 (h) friendless 3 (a) employer (b) trainer
 (c) interviewer... interviewee (d) employee
 (e) trainee 4 (a) bulletproof (b) waterproof
 (c) shockproof (d) heatproof (e) foolproof
 (f) childproof (g) soundproof

- 5 (a) cupful... teaspoonful (b) houseful
 (c) handful (d) mouthful (e) tankful
 6 (a) teacher (b) director (c) beggar
 (d) interpreter (e) translator (f) collector
 (g) sailor (h) murderer (i) operator
 (j) demonstrator (k) inspector (l) actor
 (m) buyer (n) editor (o) worker (p) donor
 (q) visitor (r) producer (s) traveller
 (t) competitor 7 (a) singer (b) governor
 (c) announcer (d) admirer (e) decorator
 (f) robber (g) survivor (h) supplier (i) controller
 (j) investigator (k) skier (l) instructor (m) elector
 (n) writer (o) photographer (p) swimmer
 (q) contributor (r) creator (s) manager (t) liar
 8 (a) motorist (b) electrician (c) Parisian
 (d) Christian (e) pianist (f) historian
 (g) Buddhist (h) economist (i) artist (j) cyclist
 (k) tobacconist (l) politician (m) scientist
 (n) musician (o) psychiatrist (p) terrorist
 (q) magician (r) florist (s) comedian
 (t) beautician (u) journalist (v) parachutist
 (w) linguist (x) archaeologist

Nouns made from verbs (pp. 60-68)

- 1 (a) diagnosis (b) enclosure (c) analysis
 (d) hypnosis (e) failure (f) signature
 (g) emphasis (h) seizure (i) paralysis (j) closure
 2 (a) delivery (b) injury (c) forgery
 (d) recovery (e) discovery (f) prosperity
 (g) Assembly (h) apology (i) conspiracy
 (j) expiry (k) enquiry 3 (a) correspondence
 (b) defence (c) obedience (d) preference
 (e) pretence (f) reference (g) dependence
 (h) existence (i) insistence (j) difference
 (k) offence (l) coincidence (m) interference
 (n) residence 4 (a) performance (b) attendance
 (c) resemblance (d) acceptance (e) disturbance
 (f) insurance (g) assistance (h) annoyance
 (i) entrance (j) resistance (k) endurance
 (l) avoidance 5 (a) dismissal (b) burial
 (c) arrival (d) renewal (e) approval (f) rehearsal
 (g) trial (h) proposal (i) survival (j) denial
 (k) refusal (l) removal 6 (a) storage
 (b) passage (c) marriage (d) stoppage
 (e) postage (f) wreckage (g) leakage (h) usage
 (i) breakage (j) shrinkage 7 (a) advice
 (b) practice (c) licence (d) prophecy (e) choice
 (f) behaviour (g) complaint (h) error (i) loss
 (j) mixture (k) growth 8 (a) censorship
 (b) death (c) conquest (d) belief (e) proof
 (f) relief (g) remainder (h) remains (i) reminder
 (j) prayer (k) comparison 9 (a) pursuit
 (b) hatred (c) ascent... descent (d) ruins
 (e) contents (f) knowledge (g) decision
 (h) tendency (i) suspicion (j) applause
 (k) service (l) weight (m) threat (n) shot
 (o) robbery (p) response 10 (a) persuasion
 (b) division (c) expansion (d) admission
 (e) explosion (f) revision (g) inclusion
 (h) exclusion (i) conclusion 11 (a) invasion
 (b) collision (c) permission (d) impression

(e) possession (f) confession (g) confusion
 (h) discussion (i) extension 12 (a) arrangement
 (b) enlargement (c) entertainment
 (d) postponement (e) improvement
 (f) encouragement (g) advertisement
 13 (a) government (b) punishment
 (c) management... agreement (d) employment
 (e) treatment (f) disappointment (g) imprisonment
 (h) announcement (i) development
 14 (a) competition (b) pronunciation
 (c) qualification (d) production (e) solution
 (f) introduction (g) acquisition (h) revolution
 (i) repetition (j) reduction 15 (a) destruction
 (b) opposition (c) publication (d) reception
 (e) deception (f) abolition (g) explanation
 (h) detention (i) satisfaction (j) description
 16 (a) interruption (b) prediction... election
 (c) reaction (d) Prevention (e) invention
 (f) addiction (g) Protection (h) suggestion
 (i) selection 17 (a) investigation
 (b) exaggeration (c) operation (d) imitation
 (e) pronunciation (f) resignation
 (g) accommodation (h) communication
 (i) imagination (j) accusation (k) cancellation
 (l) admiration (m) abbreviation (n) preparation
 (o) demonstration (p) education (q) emigration
 (r) immigration 18 (a) donation (b) hesitation
 (c) acceleration (d) reservation (e) sensation
 (f) combination (g) interrogation (h) invitation
 (i) deterioration (j) examination (k) alteration
 (l) information (m) relaxation (n) restoration
 (o) temptation (p) continuation (q) exploration
 (r) translation (s) interpretation (t) punctuation

Nouns made from adjectives (pp. 68-72)

1 (a) wealth (b) poverty (c) truth (d) thirst
 (e) hunger (f) ease (g) youth (h) gratitude
 (i) likelihood (j) health (k) guilt (l) freedom
 2 (a) death (b) cowardice (c) heroism
 (d) wisdom (e) anger (f) fame (g) splendour
 (h) boredom (i) horror (j) heat (k) pride
 (l) strength 3 (a) luck (b) warmth (c) terror
 (d) length (e) width (f) height (g) depth
 4 (a) violence (b) silence (c) confidence
 (d) elegance (e) innocence (f) importance
 (g) intelligence (h) arrogance (i) independence
 (j) reluctance (k) patience (l) convenience
 (m) absence (n) presence 5 (a) accuracy
 (b) vacancy (c) urgency (d) obstinacy
 (e) fluency (f) efficiency (g) frequency
 (h) privacy 6 (a) baldness (b) foolishness
 (c) punctuality (d) equality (e) deafness
 (f) popularity (g) quietness (h) similarity
 (i) darkness (j) validity (k) sadness (l) kindness
 7 (a) seriousness (b) Christianity (c) neatness
 (d) superiority (e) neutrality (f) bluntness
 (g) illness (h) formality (i) weakness
 (j) fondness (k) reality (l) stupidity 8 (a) clarity
 (b) necessity (c) brevity (d) curiosity (e) anxiety
 (f) generosity (g) simplicity (h) vanity (i) variety
 (j) gaiety 9 (a) courtesy (b) Cruelty (c) beauty
 (d) jealousy... envy (e) safety (f) tragedy
 (g) difficulty (h) royalty (i) fury (j) hypocrisy
 (k) certainty (l) loyalty 10 (a) loneliness
 (b) ugliness (c) happiness (d) laziness
 (e) holiness (f) naughtiness (g) tidiness
 (h) loveliness 11 (a) tension (b) perfection
 (c) contentment (d) caution (e) excitement

(f) attraction

Adjectives made from nouns (pp. 72-74)

1 (a) scholarly (b) rainy (c) grassy
 (d) friendly (e) salty (f) ghostly (g) yearly
 (h) weekly 2 (a) poisonous (b) religious
 (c) adventurous (d) nervous (e) mountainous
 (f) humorous (g) miraculous (h) dangerous
 (i) glorious (j) ambitious (k) courageous
 (l) disastrous (m) famous (n) industrious
 (o) infectious (p) mysterious (q) victorious
 (r) suspicious 3 (a) alcoholic (b) artistic
 (c) climatic (d) democratic (e) energetic
 (f) photographic (g) scientific (h) sympathetic
 (i) poetic (j) dramatic 4 (a) grammatical
 (b) alphabetical (c) musical (d) practical
 (e) theatrical (f) political (g) psychological
 (h) medical (i) critical (j) clerical
 5 (a) fashionable (b) triumphant (c) affectionate
 (d) circular (e) literary (f) suburban
 (g) triangular (h) troublesome (i) comfortable
 (j) profitable (k) muscular (l) valuable
 (m) skilful (or skilled) (n) socialist (o) successful
 (p) trustworthy (or trusted) (q) peaceful
 (r) memorable (s) knowledgeable (t) distant

Adjectives made from verbs (pp. 74-75)

1 (a) advisable (b) changeable (c) regrettable
 (d) suitable (e) dependable (f) breakable
 (g) readable (h) adjustable (i) enjoyable
 (j) acceptable (k) agreeable (l) curable
 2 (a) appreciative (b) productive (c) deceptive
 (d) destructive (e) informative (f) creative
 (g) attractive (h) talkative (i) protective
 (j) decisive 3 (a) dead (b) boring
 (c) economical (d) quarrelsome (e) introductory
 (f) entertaining (g) observant (h) obedient
 (i) residential (j) slippery (k) educational
 (l) spoilt (m) sticky (n) explanatory

Verbs made from nouns (pp. 75-76)

(a) encourage (b) extend (c) frighten (d) relieve
 (e) bleed (f) prove (g) endanger (h) identify
 (i) strengthen (j) liberate (k) breathe (l) halve
 (m) lengthen

Verbs made from adjectives (p. 76)

(a) brighten (b) lessen (c) ripen (d) sweeten
 (e) worsen (f) widen (g) loosen (h) lighten
 (i) deafen (j) flatten (k) darken (l) deepen
 (m) sharpen (n) broaden (o) quieten
 (p) straighten (q) tighten (r) weaken

Specialized Vocabulary

Formal Words (pp. 77-78)

- 1 (a) produce (b) stating (c) attend
(d) obligatory (e) facilitate (f) seek (g) enquire
(h) admitted (i) leave 2 (a) held
(b) in possession of (c) prior (d) additional
(e) terminating (f) in excess of (g) desire
(h) retain (i) notify (j) locations (k) provide
(l) further 3 (a) in duration (b) commences
(c) departs (d) prior to (e) commencement
(f) ensure (g) funds (h) undertake (i) assist
(j) requested (k) appropriate (l) attire
4 (a) enquire (b) facilitate (c) prior to
(d) prior (e) assist (f) in excess of (g) additional
(h) notify (i) commencement (j) funds (k) retain
(l) provide (m) hold (n) terminate (o) attend
(p) admitted (q) state (r) desire (s) leave
(t) produce (u) ensure (v) requested

Slang and Colloquial Words (p. 79)

- 1 (a) cigarettes (b) pounds... alcohol (c) made
(d) without money (e) friend... prison
(f) discarded (g) television... nuisance
(h) policeman 2 (a) dismiss (b) very good
(c) upper class (d) child... bicycle
(e) short sleep (f) joking (g) toilet
(h) without money (i) drunk (j) newspaper
(k) possessions

American Words (p. 80)

- 1 (a) playing truant... fail
(b) tap... flat... caretaker (c) rise... holidays
(d) postman... trousers (e) railway timetable
(f) ordinary uniformed policeman... saloon car...
pavement (g) chemist... nappies (h) bill
(i) post 2 (a) queue... cinema
(b) garden... autumn (c) specialize... maths,
(mathematics)... university... secondary school
(d) petrol... petrol station... windscreen
(e) shops... underground (f) lift... ground floor
(g) sweets... jam (h) note (i) rubbish

Newspaper Headlines (p. 81)

- 1 (a) close down... (b) attempt (c) explosion
(d) fire (e) conflict... (f) reduce...
(g) exciting or dramatic event (h) diplomat...
(i) affect badly (j) vote... (k) investigate...
(l) leave... (m) question... (n) mystery
(o) look for... (p) reduce drastically
(q) angry argument (r) total number of dead
(s) marry (t) attract... 2 (a) The army has
closed down three bases and dismissed 2,000 men to
save money. (b) An attempt to reach the north pole
has failed. (c) Eight people have been killed in an
explosion at a hotel. (d) Some animals have died in
a fire at a zoo. (e) The United States and the Soviet
Union are in disagreement about arms reductions.
(f) Three people have been saved in a dramatic fire at
a block of flats. (g) A diplomat has been accused of
spying. (h) Tourists have been badly affected by a
pilots' strike. (i) The Prime Minister has announced
that there will be elections in March. (j) The police
are investigating the mystery of a missing woman.
(k) A leading scientist has left the United Kingdom to
move to the United States. (l) Three people have
been questioned (by the police) about the kidnapping
of a boy. (m) A film star wants a divorce. (n) Air
fares have been drastically reduced to attract more
holidaymakers to fly. (o) There has been an

- argument at the United Nations about an accusation
that certain people are spies. (p) The total number
of people who died in the earthquake is now 27.
(q) An actor is going to marry for the fifth time.

Abbreviations (pp. 82-83)

- 1 (a) BBC (b) NSPCC (c) RSPCA (d) AA
(e) C of E (f) M15 (g) BR (h) OHMS (i) BA
(j) M4 (k) ITV (l) lb... oz (m) ft... in
(n) Esq... c/o... Rd 2 (a) UN (b) EEC
(c) OPEC (d) KGB (e) CIA (f) NATO (g) FBI
(h) USA (i) USSR (j) UK 3 (a) PTO (b) v
(c) Bros... St (d) BC (e) No... NB
(f) °F... °C (g) AD (h) RSVP (i) PS

Pairs of Words Often Confused (pp. 85-88)

- 1 (a) lose (b) loose (c) lose (d) loose
2 (a) their (b) there (c) there (d) there
3 (a) advise (b) advice (c) advice (d) advise
4 (a) practice (b) practise (c) practice
(d) practise 5 (a) whether (b) weather
(c) weather (d) whether 6 (a) beside
(b) beside (c) besides (d) besides
7 (a) stationary (b) stationery (c) stationary
(d) stationery 8 (a) agree (b) accept (c) agree
(d) accept 9 (a) understanding
(b) comprehensive (c) comprehensive
(d) understanding 10 (a) sensible (b) sensitive
(c) sensible (d) sensitive... sensitive
11 (a) now (b) now (c) actually (d) actually
12 (a) control (b) check (c) control (d) check
13 (a) teacher (b) teacher (c) professor
(d) Professor 14 (a) effect (b) affect (c) affect
(d) effect 15 (a) passed (b) passed (c) past
(d) past 16 (a) economical (b) economic
(c) economic (d) economical 17 (a) principles
(b) principle (c) principal (d) principal
18 (a) grateful (b) thankful (c) thankful
(d) grateful 19 (a) lend (b) borrow (c) borrow
(d) lend 20 (a) quiet (b) quite (c) quiet
(d) quite 21 (a) Canal (b) canals (c) Channel
(d) channel 22 (a) valueless (b) priceless
(c) priceless (d) valueless 23 (a) invaluable
(b) invaluable (c) worthless (d) worthless
24 (a) continually (b) continuously
(c) continuously (d) continually 25 (a) hard
(b) hard (c) hardly (d) hardly 26 (a) avoid
(b) prevent (c) prevent (d) avoid
27 (a) may be (b) maybe (c) maybe
(d) may be 28 (a) raised (b) rise (c) rose
(d) raised (e) rise (f) raised (g) raised
(h) risen (i) rises (j) raised 29 (a) stole
(b) robbed (c) robbed (d) stolen (e) stolen
(f) rob (g) stole (h) robbed (i) stole
30 (a) lies (b) laid (c) Lay (d) lay (e) lain
(f) lay (g) lie (h) laid (i) lying (j) lay (k) laid
(l) lay... lie 31 (a) remember (b) remind
(c) remember (d) remember (e) reminded
(f) remind (g) remember (h) remind
(i) remember (j) reminds